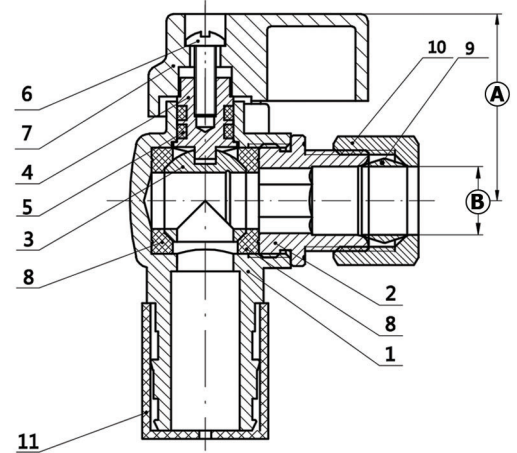
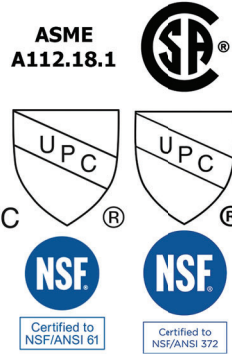


# ML-162

# 1.14



## ML-162-1238 1/2 F1960 x 3/8 COMPRESSION - ANGLE STOP

- Certified to IAPMO ASME A112.18.1/CSA B125.1,cUPC/UPC/NSF61/NSF372
- BALL/BONNET/BODY/HANDLE CHROME PLATING
- Pressure/Temperature : 250psi@250F

| NAME / MATERIAL |                 |            |     |
|-----------------|-----------------|------------|-----|
| NO.             | PART NAME       | MATERIAL   | QTY |
| 1               | Valve body      | C46500     | 1   |
| 2               | Bonnet          | C46500     | 1   |
| 3               | Ball            | C46500     | 1   |
| 4               | Stem            | C69300     | 1   |
| 5               | O-ring          | EPDM       | 2   |
| 6               | Cross screw     | SS302      | 1   |
| 7               | Handle          | Zinc Alloy | 1   |
| 8               | Seal ring       | PTFE       | 2   |
| 9               | Sleeve          | H62        | 1   |
| 10              | Compression nut | C37700     | 1   |
| 11              | Safety Cover    | PE         | 1   |

| DIMENSIONS mm |      |     |
|---------------|------|-----|
| MODEL         | A    | ØB  |
| ML-162-1238   | 26.4 | 9.7 |

# MASTEWART.COM