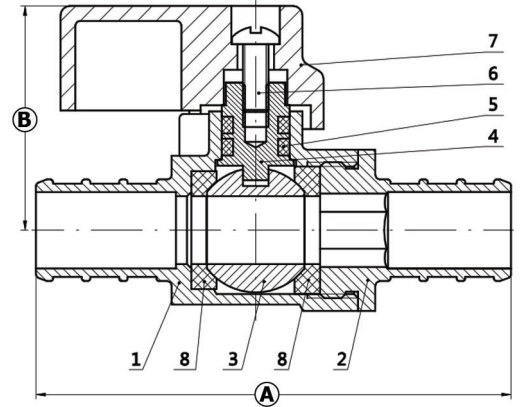
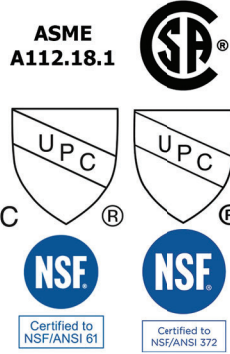


ML-152

1.12



ML-152-12 1/2 PEX x 1/2 PEX - STRAIGHT STOP
ML-152-34 3/4 PEX x 3/4 PEX - STRAIGHT STOP

- Certified to IAPMO ASME A112.18.1/CSA B125.1,cUPC/UPC/NSF61/NSF372
- CSA B137.5/ASTM F1807 PEX END
- BALL/BONNET/BODY/HANDLE CHROME PLATING
- Pressure/Temperature : 250psi@250F

NAME / MATERIAL			
NO.	PART NAME	MATERIAL	QTY
1	Valve body	C46500	1
2	Bonnet	C46500	1
3	Ball	C46500	1
4	Stem	C69300	1
5	O-ring	EPDM	2
6	Cross screw	SS302	1
7	Handle	Zinc Alloy	1
8	Seal ring	PTFE	2

DIMENSIONS mm		
MODEL	A	B
ML-152-12	56	26.5
ML-152-34	57.5	28.5

MASTEWART.COM