

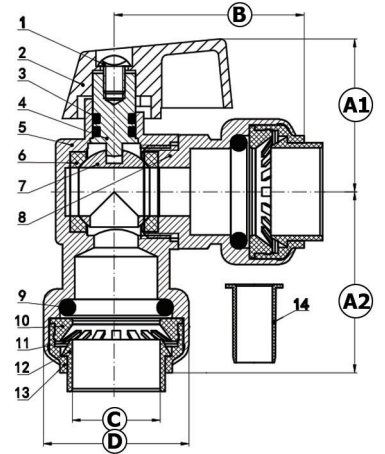
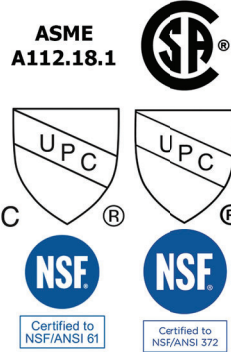


M. A. Stewart & Sons Ltd.  
VALVES AND FITTINGS

# MAS CHROME LEAD FREE SUPPLY STOP VALVES

## ML-148

## 1.10



### ML-148-12 1/2 PUSH x 1/2 PUSH - ANGLE STOP

- Certified to IAPMO ASME A112.18.1/CSA B125.1,cUPC/UPC/NSF61/NSF372
- BALL/BONNET/BODY/HANDLE CHROME PLATING
- Pressure/Temperature : 250psi@250F

NAME / MATERIAL			
NO.	PART NAME	MATERIAL	QTY
1	Cross screw	Stainless steel	1
2	Handle	Zinc Alloy	1
3	O-ring	EPDM	2
4	Stem	C69300	1
5	Valve body	C46500	1
6	Seal ring	PTFE	2
7	Ball	C46500	1
8	Bonnet	C46500	1
9	O-ring	EPDM	2
10	Plastic Cover	POM	2
11	Grab Ring	SUS316	2
12	Demount Ring	POM	2
13	Shell	POM	2
14	Tube Liner	POM	2

DIMENSIONS mm					
MODEL	A1	A2	B	ØC	ØD
ML-148-12	26.5	33.7	35.5	16.1	27.2

# MASTEWART.COM