

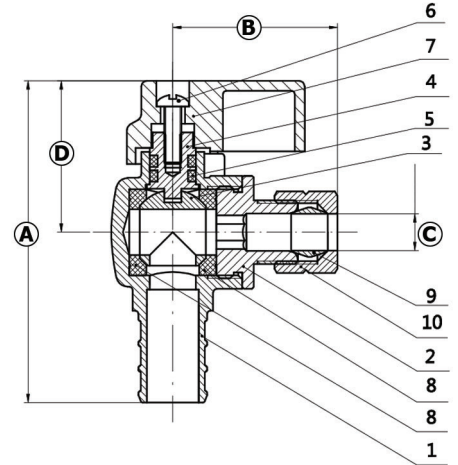
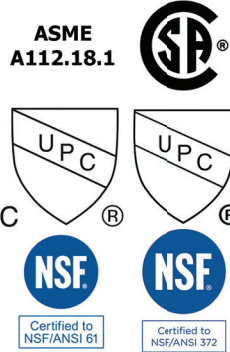


M. A. Stewart & Sons Ltd.
VALVES AND FITTINGS

MAS CHROME LEAD FREE SUPPLY STOP VALVES

ML-129

1.7



ML-129-1214 1/2 PEX x 1/4 COMPRESSION - ANGLE STOP
ML-129-1238 1/2 PEX x 3/8 COMPRESSION - ANGLE STOP

- Certified to IAPMO ASME A112.18.1/CSA B125.1,cUPC/UPC/NSF61/NSF372
- CSA B137.5/ASTM F1807 PEX END
- BALL/BONNET/BODY/HANDLE CHROME PLATING
- Pressure/Temperature : 250psi@250F

NAME / MATERIAL			
NO.	PART NAME	MATERIAL	QTY
1	Valve body	C46500	1
2	Bonnet	C46500	1
3	Ball	C46500	1
4	Stem	C69300	1
5	O-ring	EPDM	2
6	Cross screw	SS302	1
7	Handle	Zinc Alloy	1
8	Seal ring	PTFE	1
9	Sleeve	H62	1
10	Compression nut	C36000 / C37700	1

DIMENSIONS mm				
MODEL	A	B	ØC	D
ML-129-1214	54.5	29.1	6.4	26.4
ML-129-1238	54.5	30	9.65	26.5

MASTEWART.COM