

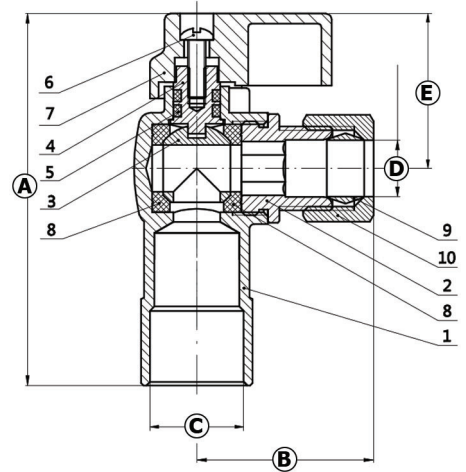
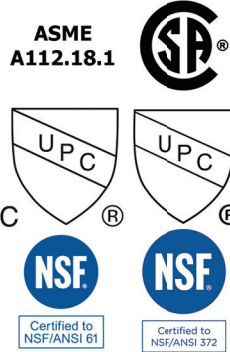


M. A. Stewart & Sons Ltd.  
VALVES AND FITTINGS

# MAS CHROME LEAD FREE SUPPLY STOP VALVES

# ML-127

# 1.5



## ML-127-1238 1/2 SWEAT x 3/8 COMPRESSION - ANGLE STOP

- Certified to IAPMO ASME A112.18.1/CSA B125.1,cUPC/UPC/NSF61/NSF372
- BALL/BONNET/BODY/HANDLE CHROME PLATING
- Pressure/Temperature : 250psi@250F

NAME / MATERIAL			
NO.	PART NAME	MATERIAL	QTY
1	Valve body	C46500	1
2	Bonnet	C46500	1
3	Ball	C46500	1
4	Stem	C69300	1
5	O-ring	EPDM	2
6	Cross screw	SS302	1
7	Handle	Zinc Alloy	1
8	Seal ring	PTFE	1
9	Sleeve	H62	1
10	Compression nut	C37700	1

DIMENSIONS mm					
MODEL	A	B	ØC	ØD	E
ML-127-1238	63.5	30	15.93	9.65	26.5

# MASTEWART.COM