

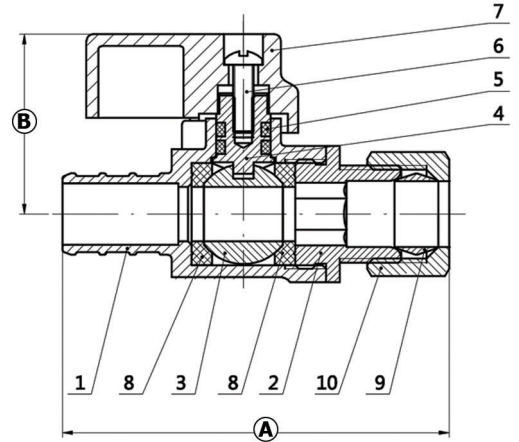
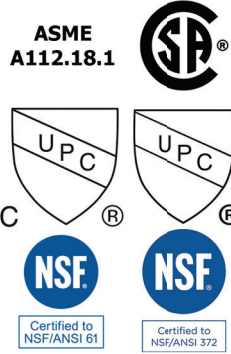


M. A. Stewart & Sons Ltd.  
VALVES AND FITTINGS

# MAS CHROME LEAD FREE SUPPLY STOP VALVES

# ML-125

# 1.3



**ML-125-1214** 1/2 PEX x 1/4 COMPRESSION - STRAIGHT STOP  
**ML-125-1238** 1/2 PEX x 3/8 COMPRESSION - STRAIGHT STOP

- Certified to IAPMO ASME A112.18.1/CSA B125.1,cUPC/UPC/NSF61/NSF372
- CSA B137.5/ASTM F1807 PEX END
- BALL/BONNET/BODY/HANDLE CHROME PLATING
- Pressure/Temperature : 250psi@250F

NAME / MATERIAL			
NO.	PART NAME	MATERIAL	QTY
1	Valve body	C46500	1
2	Bonnet	C46500	1
3	Ball	C46500	1
4	Stem	C69300	1
5	O-ring	EPDM	2
6	Cross screw	SS302	1
7	Handle	Zinc Alloy	1
8	Seal ring	PTFE	1
9	Sleeve	H62	1
10	Compression nut	C37700	1

DIMENSIONS mm		
MODEL	A	B
<b>ML-125-1214</b>	55	26.4
<b>ML-125-1238</b>	56.6	26.5

# MASTEWART.COM