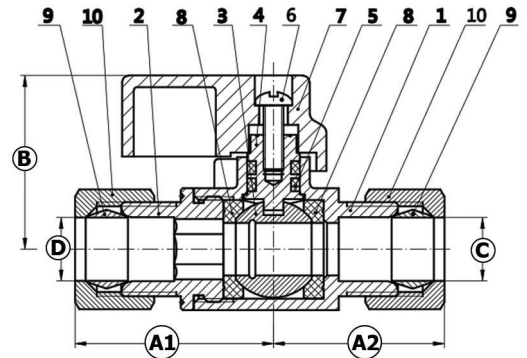
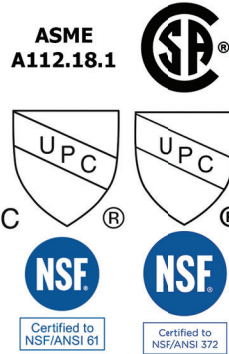


ML-124

1.2



ML-124-3838 3/8 COMPRESSION x 3/8 COMPRESSION - STRAIGHT STOP
ML-124-5814 5/8 COMPRESSION x 1/4 COMPRESSION - STRAIGHT STOP
ML-124-5838 5/8 COMPRESSION x 3/8 COMPRESSION - STRAIGHT STOP

- Certified to IAPMO ASME A112.18.1/CSA B125.1,cUPC/UPC/NSF61/NSF372
- BALL/BONNET/BODY/HANDLE CHROME PLATING
- Pressure/Temperature : 250psi@250F

NAME / MATERIAL			
NO.	PART NAME	MATERIAL	QTY
1	Valve body	C46500	1
2	Bonnet	C46500	1
3	Ball	C46500	1
4	Stem	C69300	1
5	O-ring	EPDM	2
6	Cross screw	SS302	1
7	Handle	Zinc Alloy	1
8	Seal ring	PTFE	1
9	Sleeve	H62	1
10	Compression nut	C37700	1

DIMENSIONS mm					
MODEL	A1	A2	B	ØC	ØD
ML-124-3838	30	25	26.5	9.65	9.65
ML-124-5814	29.1	29.6	26.5	16.0	6.4
ML-124-5838	30	29.6	26.5	16.0	9.65

MASTEWART.COM