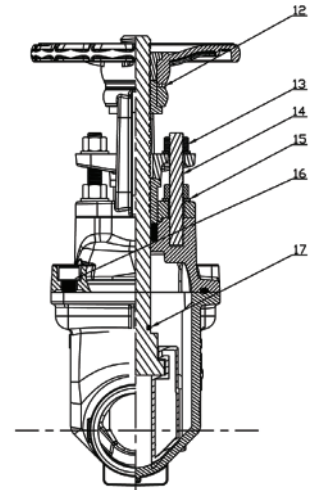
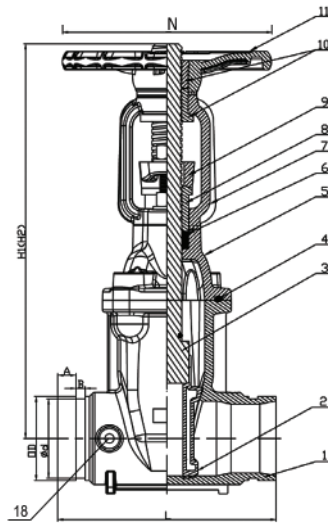


# Grooved Resilient OS&Y Gate Valve W10-A-RS-GG-B-HW UL/FM Approved AWWA C 515



NSF/ANSI 61 NSF/ANSI 372



## MATERIAL SPECIFICATION

Part No.	Part	Standard Specification	Options
1	Valve Body	ASTM A536, 65-45-12	
2	Resilient Wedge Disc	ASTM A536, 65-45-12+EPDM	
3	Stem	ASTM B150	AISI 304, AISI 316
4	Bonnet Gasket	EPDM	NBR
5	Bonnet	ASTM A536, 65-45-12	
6	Stem Packing	EPDM	
7	Yoke	ASTM A536, 65-45-12	
8	Stem Bushing	Brass HPb59-1	
9	Gland	ASTM A536, 65-45-12	
10	Stem Nut	Brass HPb59-1	Bronze ZQSn5-5-5
11	Handwheel	ASTM A536, 65-45-12	Pressed Steel
12	Washer	Brass CW617N	
13	Gland Nut	AISI 316	
14	Stud	AISI 304	AISI 316
15	Flat Washer	AISI 304	AISI 316
16	Nut	AISI 304 WAX SEAL	AISI 316 WAX SEAL
17	O-Ring	NBR	EPDM
18	NPT Plug	Bronze	

- Design Standard: AWWA C 515
- Connection Ends: Grooved to AWWA C606
- Working Pressure: 300PSI
- Temperature Range: 0°C- 100°C
- Coating: Fusion Bonded Epoxy Coating in accordance with ANSI/AWWA C550 10 mil minimum
- Grooved Stem For Supervisory Switch
- Sizes: NPS 14 and over (B - 250PSI)



**W10-A-RS-GG-B-HW-B**  
(with option B,  
Supervisory Switch)

Note: For special material request other than standard specification, please indicate clearly on the inquiry or order list. Size 2"~3" with 1pc of 3/8" bronze NPT tapping plug, size 4"~5" with 1pc of 1/2" bronze NPT tapping plug, size 6"~12 with 1pc of 3/4" bronze NPT tapping plug.

DN		Dimensions(mm)							
Inch	mm	L	N	H1(Close)	H2(Open)	OD	d	A	B
2"	50	178	278	348	400	60.3	57.15	15.88	7.92
2.5"	65	190	300	373	440	73	69.09	15.88	7.92
3"	80	203	321	408	490	88.9	84.94	15.88	7.92
4"	100	229	375	471	573	114.3	110.08	15.88	9.52
5"	125	254	415	541	665	141.3	137.03	15.88	9.52
6"	150	267	455	601	755	168.3	163.96	15.88	9.52
8"	200	292	565	774	975	219.1	214.4	19.05	11.13
10"	250	330	636	1029	1283	273	268.28	19.05	12.7
12"	300	356	731	1065	1370	323.9	318.29	19.05	12.7

Technical data, dimensions, materials & specifications are subject to change without notice.