

Flanged Resilient OS&Y Gate Valve W10-A-RS-FF-B-HW UL/FM Approved AWWA C 515

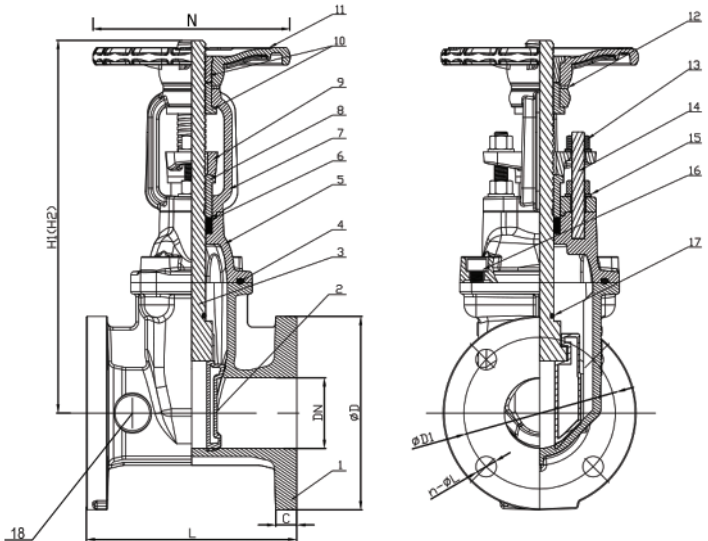


NSF/ANSI 61 NSF/ANSI 372

- Design Standard: AWWA C 515
- Connection Ends: Flange to ASME B16.1 CL 125
- Working Pressure: 300PSI
- Temperature Range: 0°C- 100°C
- Coating: Fusion Bonded Epoxy Coating Complies with ANSI/ AWWA C550 / 10 mil minimum
- Grooved Stem For Supervisory Switch
- Sizes: NPS 14 and over (B - 250PSI)



**W10-A-RS-FF-B-HW-B
(with option B,
Supervisory Switch)**



MATERIAL SPECIFICATION

Part No.	Part	Standard Specification	Options
1	Valve Body	ASTM A536, 65-45-12	
2	Resilient Wedge Disc	ASTM A536, 65-45-12+EPDM	
3	Stem	ASTM B150 (Note 1)	AISI 304, AISI 316
4	Bonnet Gasket	EPDM	
5	Bonnet	ASTM A536, 65-45-12	
6	Stem Packing	EPDM	
7	Yoke	ASTM A536, 65-45-12	
8	Stem Bushing	Brass Hpb59-1	
9	Gland	ASTM A536, 65-45-12	
10	Stem Nut	Brass Hpb59-1	Bronze ZQSn5-5-5
11	Handwheel	ASTM A536, 65-45-12	Pressed Steel
12	Washer	Brass CW617N	
13	Gland Nut	AISI 316	
14	Stud	AISI 304	AISI 316
15	Flat Washer	AISI 304	AISI 316
16	Nut	AISI 304 WAX SEAL	AISI 316 WAX SEAL
17	O-Ring	NBR	EPDM
18	NPT Plug	Bronze	

Note: For special material request other than standard specification, please indicate clearly on the inquiry or order list. Size 2"~5" with 1pc of 1/2" bronze NPT tapping plug, size 6"~12 with 1pc of 3/4" bronze NPT tapping plug.

DN		Dimensions(mm)							
Inch	mm	L	N	H1(Close)	H2(Open)	D	D1	C	n-ΦL
2"	50	178	278	348	400	152	120.7	16.0	4-Φ19.1
2.5"	65	190	300	373	440	178	139.7	17.5	4-Φ19.1
3"	80	203	321	408	490	191	152.4	19.1	4-Φ19.1
4"	100	229	375	471	573	229	190.5	19.1	8-Φ19.1
5"	125	254	415	541	665	254	215.9	19.1	8-Φ22.2
6"	150	267	455	601	755	279	241.3	19.1	8-Φ22.2
8"	200	292	565	774	975	343	298.5	22.2	8-Φ22.2
10"	250	330	636	939	1193	406	362.0	23.8	12-Φ25.4
12"	300	356	731	1065	1370	483	431.8	25.4	12-Φ25.4
W10-B-RS-FF-S-HW									
14"	350	381		1210	1560	533	476.3	25.4	12-Φ28.6
16"	400	406		1280	1680	597	539.8	24.4	16-Φ28.6

Note 1: 14" & 16" 304 SS STEM

Technical data, dimensions, materials & specifications are subject to change without notice.