

Flanged Resilient NRS Gate Valve W10-A-NX-XX-B-X UL/FM Approved AWWA C 515



NSF/ANSI 61 NSF/ANSI 372
W10-A-NL/NR-FF-B-HW

- Design Standard: AWWA C 515
- Connection Ends: Flange to ASME B16.1 CL 125
- Working Pressure: 300PSI
- Temperature Range: 0°C- 100C°
- Coating: Fusion Bonded Epoxy Coating in accordance with ANSI/AWWA C550 / 10 mil minimum
- Sizes: NPS 14 and over (B - 250PSI)



ANSI FLANGE (FF)



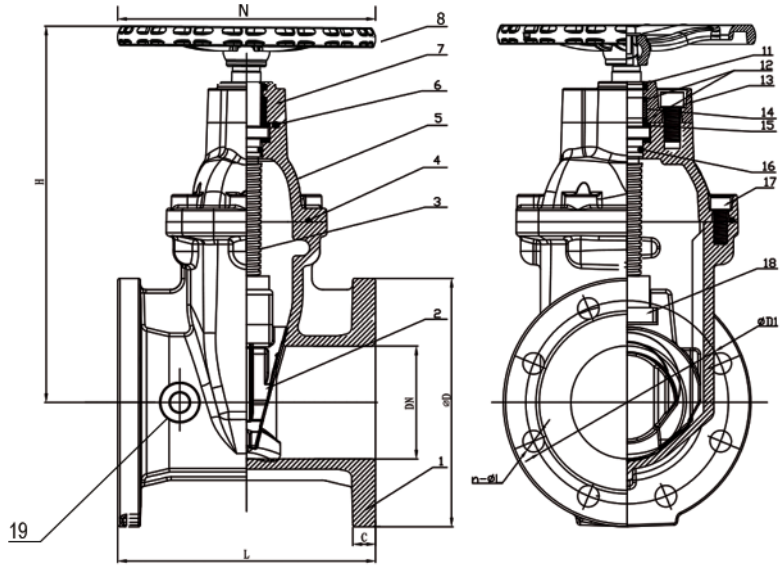
MECHANICAL JOINT (MJ)



MECHANICAL JOINT X ANSI FLANGE (MF)



GROOVE X ANSI FLANGE (GF)



MATERIAL SPECIFICATION

Part No.	Part	Standard Specification	Options
1	Valve Body	ASTM A536, 65-45-12	
2	Resilient Wedge Disc	ASTM A536, 65-45-12+EPDM	
3	Stem	ASTM B150	AISI 304, AISI 316
4	Bonnet Gasket	EPDM	NBR
5	Bonnet	ASTM A536, 65-45-12	
6	O-Ring	NBR	EPDM
7	Gland	ASTM A536, 65-45-12	
8	Handwheel	ASTM A536, 65-45-12	
9	Bolt	AISI 304	AISI 316
10	Flat Washer	AISI 304	AISI 316
11	Ring Wiper	EPDM	NBR
12	O-Ring	NBR	EPDM
13	Bolt	AISI 304	AISI 316
14	Axis Guide	Brass HPb59-1	
15	Washer	Brass CW617N	
16	O-Ring	NBR	EPDM
17	Bolt	AISI 304 WAX SEAL	AISI 316 WAX SEAL
18	Wedge Nut	Brass HPb59-1	Bronze ZQSn5-5-5
19	NPT Plug	Bronze	

Note: For special material request other than standard specification, please indicate clearly on the inquiry or order list. Size 2"~5" with 1pc of 1/2" bronze NPT tapping plug, size 6"~12 with 1pc of 3/4" bronze NPT tapping plug. NPT Tapping on FF model with 2nd operation nut is optional.

DN		Dimensions(mm)						
Inch	mm	L	H	N	D	D1	C	n-ΦL
2"	50	178	254	278	152	120.7	16	4-Φ19.1
2.5"	65	190	275	300	178	139.7	17.5	4-Φ19.1
3"	80	203	301	321	191	152.4	19.1	4-Φ19.1
4"	100	229	355	375	229	190.5	19.1	8-Φ19.1
5"	125	254	393	415	254	215.9	19.1	8-Φ22.2
6"	150	267	448	455	279	241.3	19.1	8-Φ22.2
8"	200	292	548	565	343	298.5	22.2	8-Φ22.2
10"	250	330	626	636	406	362	23.8	12-Φ25.4
12"	300	356	722	731	483	431.8	25.4	12-Φ25.4

Technical data, dimensions, materials & specifications are subject to change without notice.



NSF/ANSI 61 NSF/ANSI 372