

Flanged Resilient NRS Gate Valve with Post Flange W10-A-NX-XX-B-XX UL/FM Approved AWWA C515



NSF/ANSI 61 NSF/ANSI 372
W10-A-NL-FF-B-2P

- Design Standard: AWWA C 515
- Connection Ends: Flange to ASME B16.1 CL 125
- Working Pressure: 300PSI
- Temperature Range: 0°C- 100°C
- Coating: Fusion Bonded Epoxy Coating in accordance with ANSI/AWWA C550 / 10 mil minimum
- 2" Square Operation Nut (Standard)
- Sizes: NPS 14 and over (B - 250PSI)

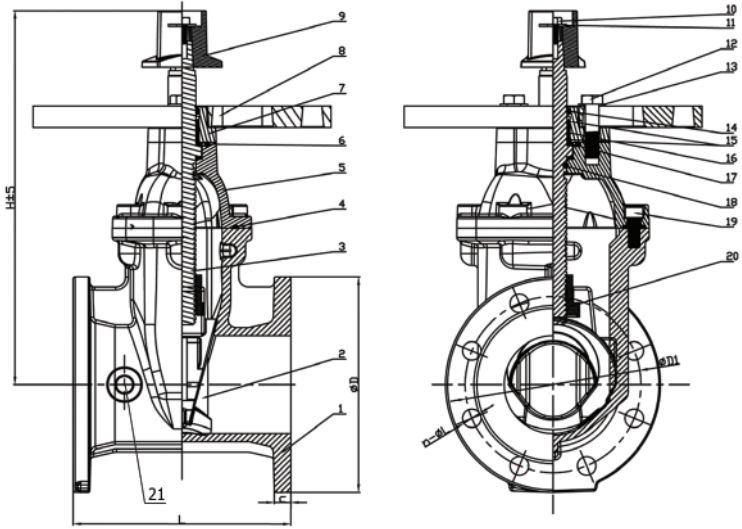


**MECHANICAL JOINT
(MJ)**

GROOVED (GG)



**MECHANICAL JOINT
X ANSI FLANGED
(MF)**



MATERIAL SPECIFICATION

Part No.	Part	Standard Specification	Options
1	Valve Body	ASTM A536, 65-45-12	
2	Resilient Wedge Disc	ASTM A536, 65-45-12+EPDM	
3	Stem	ANSI B150	AISI 304, AISI 316
4	Bonnet Gasket	EPDM	NBR
5	Bonnet	ASTM A536, 65-45-12	
6	O-Ring	NBR	EPDM
7	Gland	ASTM A536, 65-45-12	
8	Post Flange	ASTM A536, 65-45-12	
9	Square Operating Nut	ASTM A536, 65-45-12	
10	Bolt	AISI 304	AISI 316
11	Flat Washer	AISI 304	AISI 316
12	Bolt	AISI 304	AISI 316
13	Flat Washer	AISI 304	AISI 316
14	Ring Wiper	EPDM	NBR
15	O-Ring	NBR	EPDM
16	Axis Guide	Brass Hpb59-1	
17	Washer	Brass CW617N	
18	O-Ring	NBR	EPDM
19	Bolt	AISI 304 WAX SEAL	AISI 316 WAX SEAL
20	Wedge Nut	Brass Hpb59-1	Bronze ZQSn5-5-5
21	NPT Pipe Plug	ASTM B584-06A	

Note: For special material request other than standard specification, please indicate clearly on the inquiry or order list. Size 2"~3" with 1pc of 3/8" bronze NPT tapping plug, size 4"~5" with 1pc of 1/2" bronze NPT tapping plug, size 6"~12 with 1pc of 3/4" bronze NPT tapping plug.

Inch	mm	Dimensions(mm)					
		DN	L	H	D	D1	C
4"	100	229	395	229	190.5	19.1	8-Φ19.1
5"	125	254	432	254	215.9	19.1	8-Φ22.2
6"	150	267	475	279	241.3	19.1	8-Φ22.2
8"	200	292	585	343	298.5	22.2	8-Φ22.2
10"	250	330	656	406	362	23.8	12-Φ25.4
12"	300	356	751	483	431.8	25.4	12-Φ25.4

Technical data, dimensions, materials & specifications are subject to change without notice.