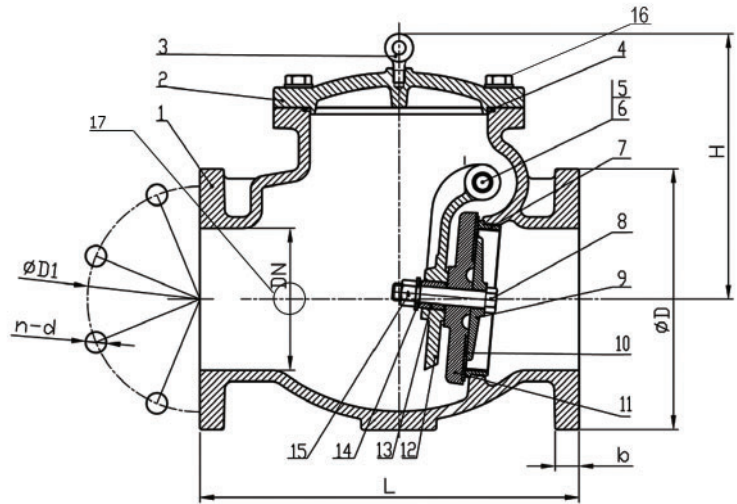


Flanged Resilient Swing Check Valve W30-A-RD-FF UL/FM Approved AWWA C 508



NSF/ANSI 61 NSF/ANSI 372

- Connection Ends: Flange to ASME B16.1 CL 125
- Meets Applicable AWWA C508 Standard
- Working Pressure: 300PSI
- Temperature Range: 0°C- 100°C
- Coating: Fusion Bonded Epoxy Coating in accordance with ANSI/AWWA C550 / 10 mil minimum
- Sizes: NPS 14 and over (B - 250PSI)

MATERIAL SPECIFICATION

Part No.	Part	Standard Specification	Options
1	Valve Body	ASTM A536, 65-45-12	
2	Bonnet	ASTM A536, 65-45-12	
3	Eye Bolt	Carbon Steel Zinc Plated	
4	O-Ring	NBR	EPDM
5	Hinge Pin	ASTM 276/420	
6	Hinge Bushing	Brass ASTM B16	
7	Seat Ring	Bronze ASTM B62 (Pressed Fit)	AISI 304, AISI 316 PressedFit or Threaded
8	Disc Seat Bolt	AISI 304	
9	Retainer Washer	Bronze ASTM B62 C83600	
10	Disc Sealing Ring	EPDM	AISI 304, AISI 316, Bronze ASTM B62
11	Disc	ASTM A536, 65-45-12	
12	Clapper Arm	ASTM A536, 65-45-12	
13	Stud Bushing	Brass ASTM B16 C36000	
14	O-Ring	NBR	EPDM
15	Nut	AISI 316	
16	Bolt	AISI 304	AISI 316
17	Plug (2)	Tin Bronze	

Note: For special material request other than standard specification, please indicate clearly on the inquiry or order list.

DN		Dimensions(mm)					
Inch	mm	L	D	D1	b	n-Ød	H
2"	50	203	152	120.5	16	4-Ø19.1	133
2.5"	65	216	178	139.5	17.5	4-Ø19.1	150
3"	80	241	191	152.5	19	4-Ø19.1	150z
4"	100	292	229	190.5	24	8-Ø19.1	218
6"	150	356	279	241.5	25.5	8-Ø22.2	290
8"	200	495	343	298.5	28.5	8-Ø22.2	330
10"	250	622	406	362	30.5	12-Ø25.4	350
12"	300	698	483	432	32	12-Ø25.4	376

Technical data, dimensions, materials & specifications are subject to change without notice.



NSF/ANSI 61 NSF/ANSI 372