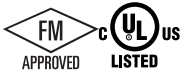
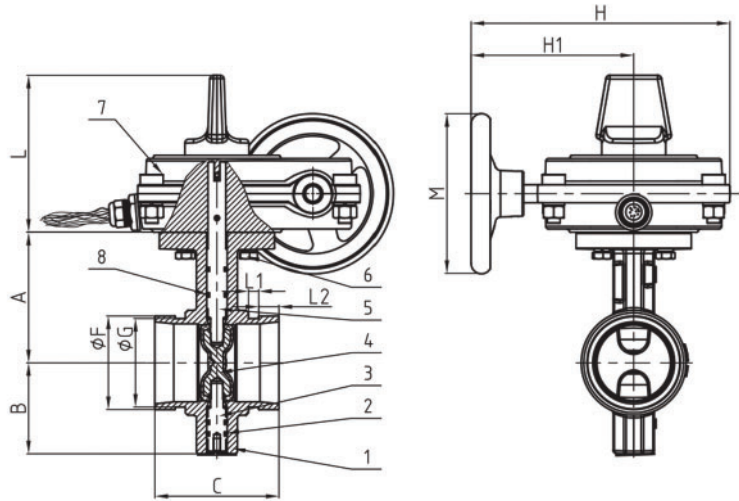


Grooved Butterfly Valve with Tamper Switch (NO - Normally Open)

W50-A-ED-GG-S-GO-A

UL/FM



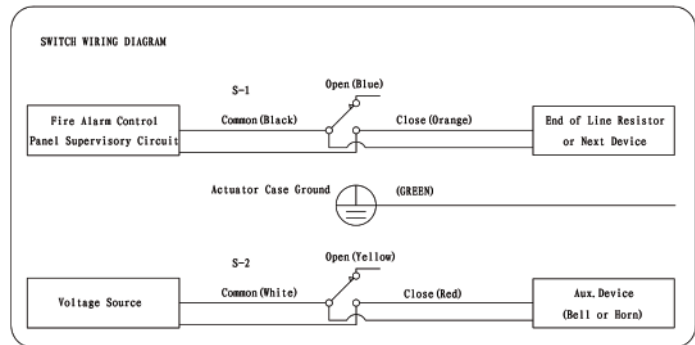
NSF/ANSI 61 NSF/ANSI 372

- Design Standard: MSS SP-67
- Connection Ends: Grooved to AWWA C606
- Top Flange Standard: ISO 5211
- Working Pressure: 300PSI
- Temperature Range: 0°C- 100°C
- Coating: Fusion Bonded Epoxy Coating in accordance with ANSI/AWWA C550 / 10 mil minimum

MATERIAL SPECIFICATION

| Part No. | Part | Standard Specification | Options |
|----------|----------------|-------------------------|------------------------|
| 1 | BODY | ASTM A536,65-45-12 | |
| 2 | O-Ring | NBR | EPDM |
| 3 | Stub Shaft | AISI 431 | |
| 4 | Disc | ASTM A536,65-45-12+EPDM | ASTM A536,65-45-12+NBR |
| 5 | Drive Shaft | AISI 431 | |
| 6 | Hex Nut | AISI 304 | |
| 7 | Signal Gearbox | Body:ASTM A536,65-45-12 | |
| 8 | O-Ring | NBR | EPDM |

Note: For special material request other than standard specification, please indicate clearly on the inquiry or order list.



| DN | | Dimensions(mm) | | | | | | | | | | |
|------|-----|----------------|-------|-------|-------|--------|-------|-------|-------|-------|-------|-----|
| Inch | mm | A | B | C | F | G | L | L1 | L2 | H1 | H | M |
| 2" | 50 | 89 | 65.00 | 81.00 | 60.3 | 57.15 | 122.5 | 7.93 | 15.88 | 127 | 202.2 | 125 |
| 2.5" | 65 | 102 | 71 | 97 | 73.0 | 69.09 | 122.5 | 7.93 | 15.88 | 127 | 202.2 | 125 |
| 3" | 80 | 109 | 81 | 97 | 88.9 | 84.94 | 122.5 | 7.93 | 15.88 | 127 | 202.2 | 125 |
| 4" | 100 | 128 | 95 | 116 | 114.3 | 110.08 | 122.5 | 9.53 | 15.88 | 127 | 202.2 | 125 |
| 5" | 125 | 141 | 111 | 148 | 141.3 | 137.03 | 122.5 | 9.53 | 15.88 | 127 | 202.2 | 125 |
| 6" | 150 | 153 | 133 | 148 | 168.3 | 163.96 | 122.5 | 9.53 | 15.88 | 127 | 202.2 | 225 |
| 8" | 200 | 184 | 164 | 133 | 219.1 | 214.40 | 122.5 | 11.10 | 19.05 | 185 | 260.2 | 225 |
| 10" | 250 | 216 | 196 | 159 | 273.1 | 268.28 | 122.5 | 12.70 | 19.05 | 185 | 260.2 | 225 |
| 12" | 300 | 254 | 226 | 165 | 323.9 | 318.29 | 132.0 | 12.70 | 19.05 | 202.5 | 297.5 | 225 |

Note: Valve must not be installed with disc in full open position. Disc must be partly closed so that no part is protruding beyond end of valve body.

Technical data, dimensions, materials & specifications are subject to change without notice.