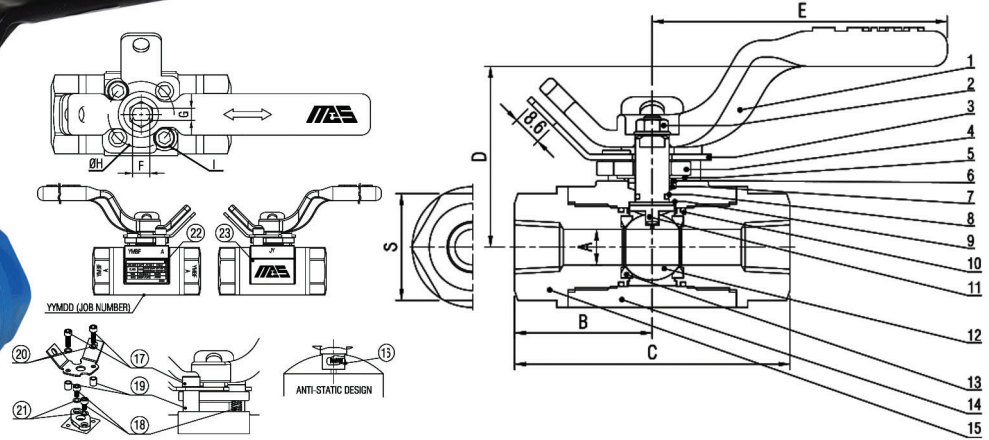
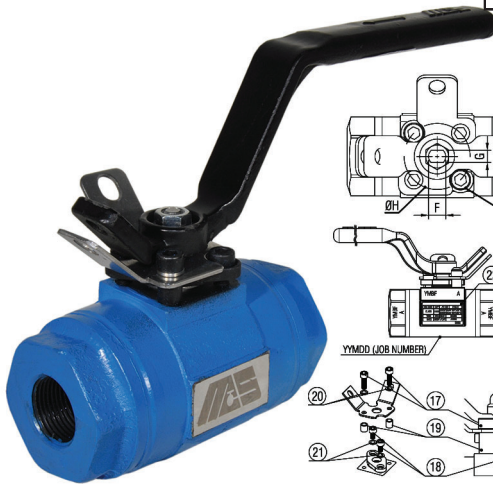


HM-6ART-P | 6LRT-P

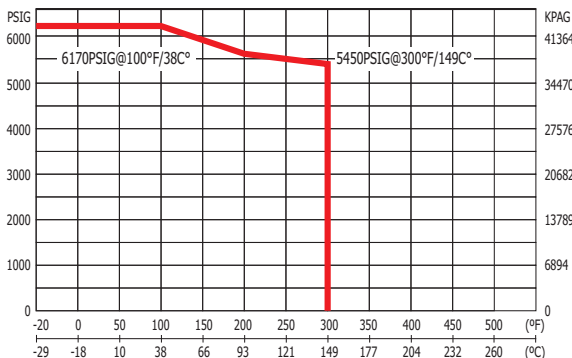
1.6



- Reduced Port
- Three Piece Threaded Body
- Forged Steel Construction
- NPT Threads to ANSI B1.20.1
- Blowout Proof Stem
- Anti-Static Design
- Positive Lock-Out Device
- Adjustable Gland
- Floating Ball
- ASME B16.34 design
- Class 2500 3/4 - 3
- Complies to NACE MR-0103
Complies with manufacturer requirements of NACE MR0175/ISO15156
- Fire-Safe Certified to API-607
- Optional Full Seal Welded Cap
- Peek Seats

NAME / MATERIAL			
NO.	PART NAME	ART	LRT
1	Handle	Carbon Steel	
2	Handle Nut	A36 C.S. Plated	
3	Lock Plate	A276 TYPE 304	
4	Gland Flange	A216 GR. WCB	
5	Belleville Washer	S.S. 301	
6	Gland	A276 TYPE 304	
7	Packing	Graphite	
8	Stem O-ring	HNBR 90D (1 1/2-3)	
9	Thrust Washer	PEEK	
10	Body O-ring	HNBR 90D	
11	Stem	A276 TYPE 316 (3/4 - 1 1/2) A564 TYPE 630 (17-4PH) (2 - 3)	
12	Ball	A351 GR. CF8M A182 GR. F316	
13	Seat	PEEK	
14	Body	A105N	A350 GR. LF2
15	Cap	A105N	A350 GR. LF2
16	Spring & Pin	A276 TYPE 304	
17	Stopper	A36 C.S. Plated	
18	Gland Bolt	A36 C.S. Plated	
19	Spacer	A36 C.S. Plated	
20	Washer	A276 TYPE 304	
21	Anti-Loosing Washer	A276 TYPE 304	
22	Brand Plate	A276 TYPE 304	
23	Identification Plate	A276 TYPE 304	

PRESSURE TEMPERATURE RATING



For A105N low temp limit is -20°F (-29°C) For LF2 low temp limit is -40°F (-40°C)

DIMENSIONS												
SIZE	DIMENSIONS										CV	WEIGHT KGS/LBS
	A	B	C	D	E	F	G	H	S	I		
20 3/4	12.7	55.5	111.0	64.3	122.0	12.0	8.0	36	46	M6	15	2.42
	0.50	2.19	4.37	2.531	4.80	0.47	0.32	1.417	1.69			5.33
25 1	19.00	54.0	115.0	105.8	172.0	13.0	8.0	36	55	M6	35	7.78
	0.75	2.13	4.527	4.165	6.77	0.51	0.32	1.417	2.165			6.12
32 1 1/4	22.2	76.0	152.0	105.8	172.0	13.0	8.0	36	65	M6	35	5.27
	0.87	2.99	5.98	4.165	6.77	0.51	0.32	1.417	2.56			11.61
40 1 1/2	32.0	79.5	159.0	134.5	279.0	19.0	12.0	50	72	M8	100	8.82
	1.26	3.13	6.26	5.295	10.98	0.75	0.47	1.968	2.83			19.44
50 2	38.1	79.5	159.0	134.5	279.0	19.0	12.0	50	92	M8	175	12.08
	1.50	3.13	6.26	5.295	10.98	0.75	0.47	1.968	3.62			6.63
80 3	50.0	89.0	178.0	151.5	302.0	20.0	14.0	70	125	M8	480	17.65
	1.96	3.50	7.01	5.964	11.89	0.79	0.55	2.756	4.92			38.91