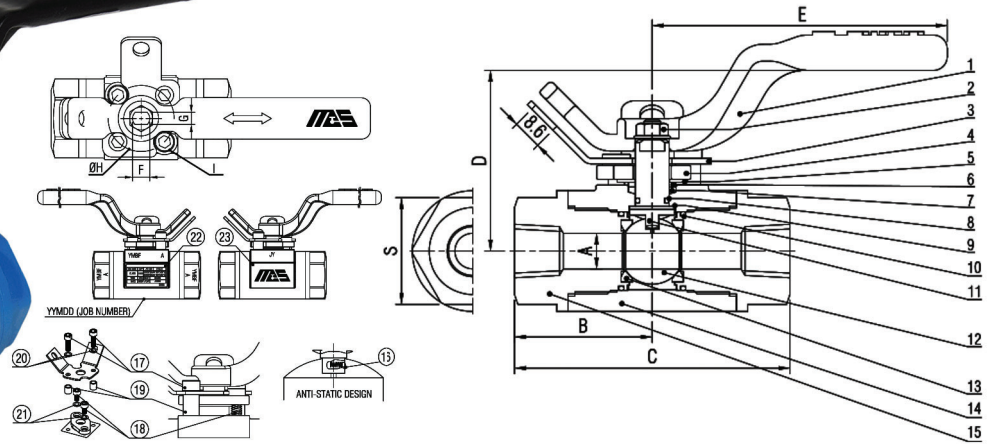
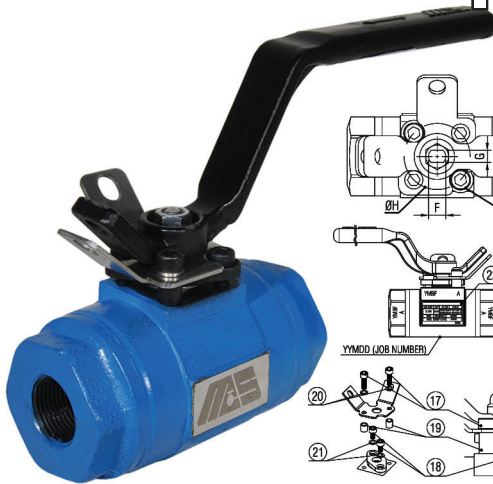


HM-6AFT-P | 6LFT-P

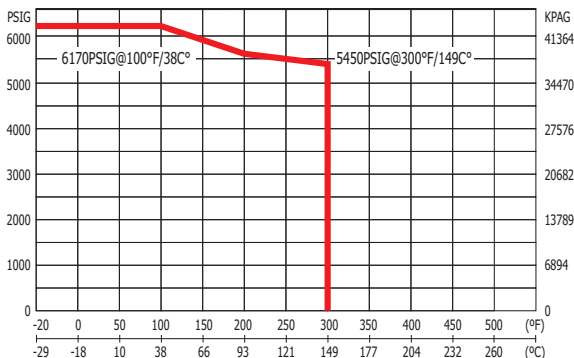
1.7



- Full Port
- Three Piece Threaded Body
- Forged Steel Construction
- NPT Threads to ANSI B1.20.1
- Blowout Proof Stem
- Anti-Static Design
- Positive Lock-Out Device
- Adjustable Gland
- Floating Ball
- ASME B16.34 design
- Class 2500 1/2 - 2
- Complies to NACE MR-0103
Complies with manufacturer requirements of NACE MR0175/ISO15156
- Fire-Safe Certified to API-607
- Optional Full Seal Welded Cap
- Peek Seats

NAME / MATERIAL			
NO.	PART NAME	AFT	LFT
1	Handle	Carbon Steel	
2	Handle Nut	A36 C.S. Plated	
3	Lock Plate	A276 TYPE 304	
4	Gland Flange	A216 GR. WCB	
5	Belleville Washer	S.S. 301	
6	Gland	A276 TYPE 304	
7	Packing	Graphite	
8	Stem O-ring	HNBR 90D (1 1/2-2)	
9	Thrust Washer	PEEK	
10	Body O-ring	HNBR 90D	
11	Stem	A276 TYPE 316 (1/2 - 1 1/2) A564 TYPE 630 (17-4PH) (2)	
12	Ball	A351 GR. CF8M A182 GR. F316	
13	Seat	PEEK	
14	Body	A105N	A350 GR. LF2
15	Cap	A105N	A350 GR. LF2
16	Spring & Pin	A276 TYPE 304	
17	Stopper	A36 C.S. Plated	
18	Gland Bolt	A36 C.S. Plated	
19	Spacer	A36 C.S. Plated	
20	Washer	A276 TYPE 304	
21	Anti-Loosing Washer	A276 TYPE 304	
22	Brand Plate	A276 TYPE 304	
23	Identification Plate	A276 TYPE 304	

PRESSURE TEMPERATURE RATING



For A105N low temp limit is -20°F (-29°C) For LF2 low temp limit is -40°F (-40°C)

DIMENSIONS												
SIZE	DIMENSIONS										CV	WEIGHT KGS/LBS
	A	B	C	D	E	F	G	H	S	I		
15 1/2	12.7	49.0	98.0	64.5	122.0	12.0	8.0	36.0	38.0	M6	15	1.40
	0.50	1.93	3.78	2.54	4.80	0.47	0.31	1.417	1.50			3.15
20 3/4	19.0	57.5	115.0	105.0	172.0	13.0	8.0	36.0	50.0	M6	40	2.72
	0.75	2.26	4.17	4.13	6.77	0.51	0.31	1.417	1.97			5.99
25 1	24.0	66.5	133.0	109.0	172.0	13.0	8.0	36.0	54.50	M6	65	3.32
	0.94	2.62	5.24	4.29	6.77	0.51	0.31	1.417	2.15			7.71
40 1 1/2	38.1	88.5	177.0	134.5	279.0	19.0	12.0	50.0	82.0	M8	250	9.89
	1.50	3.48	6.97	5.30	10.98	0.75	0.47	1.968	3.23			20.52
50 2	50.0	88.5	177.0	153.0	302.0	20.0	12.0	70.0	105.0	M8	480	14.30
	1.96	3.48	6.97	6.02	11.89	0.79	0.47	2.756	4.13			31.08