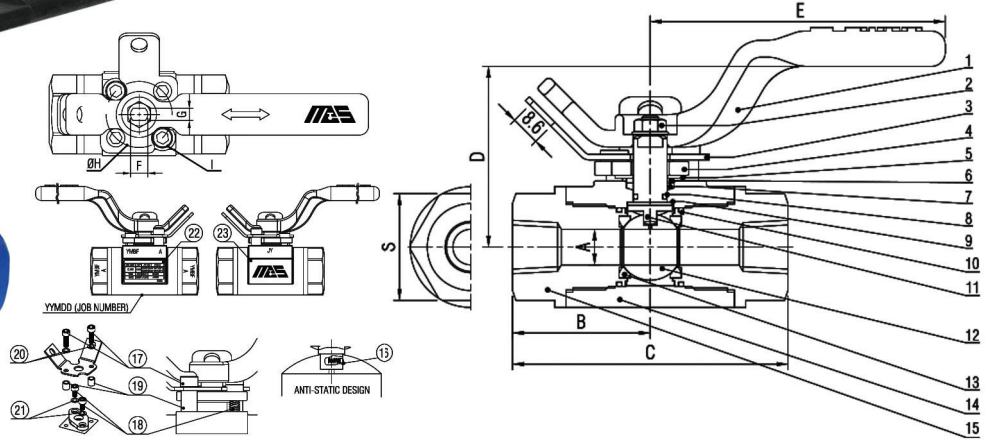
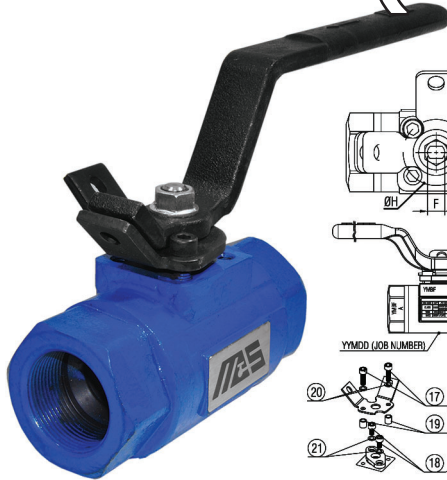


HM-3ART(-P) | 3LRT(-P)

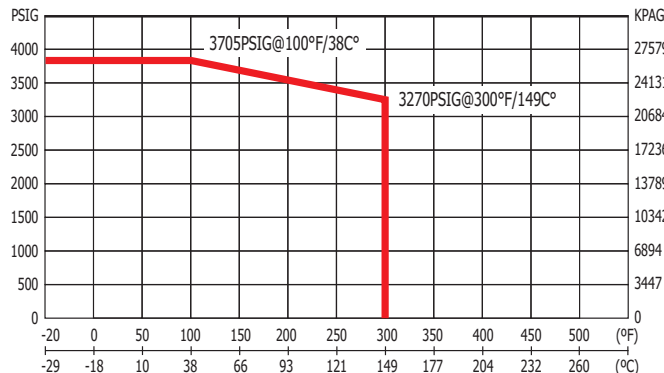
1.2



- Reduced Port
- Three Piece Threaded Body
- LF2 & A105N Forged Steel Construction
- NPT Threads to ANSI B1.20.1
- Blowout Proof Stem
- Anti-Static Design
- Positive Lock-Out Device
- Adjustable Gland
- Floating Ball
- ASME B16.34 design
- Class 1500 3/4 - 3
- Complies to NACE MR-0103
Complies with manufacturer requirements of NACE MR0175/ISO15156
- Fire-Safe Certified to API-607
- Optional Full Seal Welded Cap
- Delrin Seats / Thrust Washer
(Peek Seats / Thrust Washer optional)

NAME / MATERIAL			
NO.	PART NAME	ART	LRT
1	Handle	Carbon Steel	
2	Handle Nut	A36 C.S. Plated	
3	Lock Plate	A276 TYPE 304	
4	Gland Flange	A216 GR. WCB	
5	Belleville Washer	S.S. 301	
6	Gland	A276 TYPE 304	
7	Packing	Graphite	
8	Stem O-ring	HNBR 90D (1 1/2-3)	
9	Thrust Washer	DELTRIN (PEEK)	
10	Body O-ring	HNBR 90D	
11	Stem	A276 TYPE 316 (3/4 - 1 1/2) A564 TYPE 630 (17-4PH) (2 - 3)	
12	Ball	A351 GR. CF8M A182 GR. F316	
13	Seat	DELTRIN (PEEK)	
14	Body	A105N	A350 GR. LF2
15	Cap	A105N	A350 GR. LF2
16	Spring & Pin	A276 TYPE 304	
17	Stopper	A36 C.S. Plated	
18	Gland Bolt	A36 C.S. Plated	
19	Spacer	A36 C.S. Plated	
20	Washer	A276 TYPE 304	
21	Anti-Loosing Washer	A276 TYPE 304	
22	Brand Plate	A276 TYPE 304	
23	Identification Plate	A276 TYPE 304	

PRESSURE TEMPERATURE RATING



For A105N low temp limit is -20°F (-29°C) For LF2 low temp limit is -40°F (-40°C)

DIMENSIONS													
SIZE	mm/in											CV	WEIGHT KGS/LBS
	A	B	C	D	E	F	G	H	S	I			
20 3/4	12.7	55.5	111.0	64.3	122.0	12.0	8.0	36	38	M6	15	2.00	
	0.50	2.19	4.37	2.531	4.80	0.47	0.32	1.417	1.496			4.40	
25 1	19.00	54.0	115.0	105.8	172.0	13.0	8.0	36	50	M6	35	2.90	
	0.75	2.13	4.527	4.165	6.77	0.51	0.32	1.417	1.968			6.38	
32 1 1/4	22.2	76.0	152.0	105.8	172.0	13.0	8.0	36	62	M6	35	4.80	
	0.87	2.99	5.98	4.165	6.77	0.51	0.32	1.417	2.441			10.56	
40 1 1/2	32.0	79.5	159.0	134.5	279.0	19.0	12.0	50	66	M8	100	7.75	
	1.26	3.13	6.26	5.295	10.98	0.75	0.47	1.968	2.598			17.08	
50 2	38.1	79.5	159.0	134.5	279.0	19.0	12.0	50	82	M8	175	10.26	
	1.50	3.13	6.26	5.295	10.98	0.75	0.47	1.968	3.228			22.62	
80 3	50.0	89.0	208.0	151.5	302.0	20.0	14.0	70	112	M8	480	15.66	
	1.96	3.50	8.19	5.964	11.89	0.79	0.55	2.756	4.409			34.52	