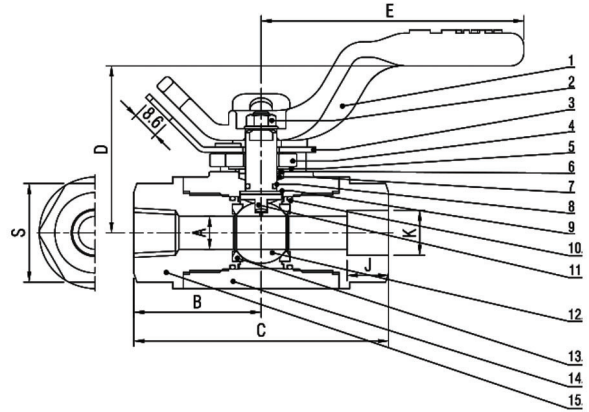
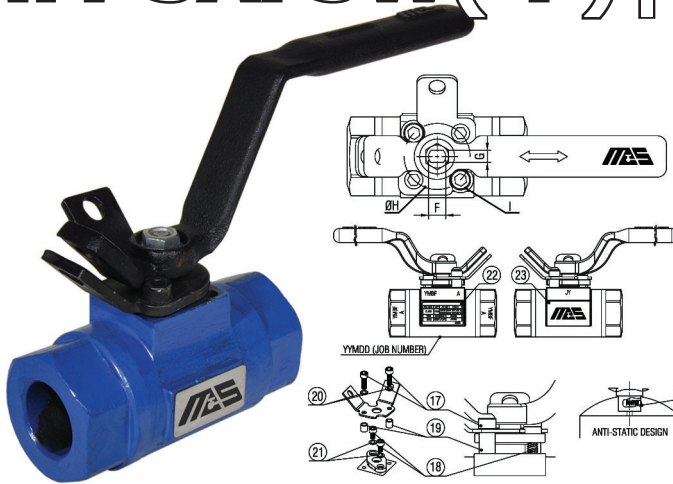


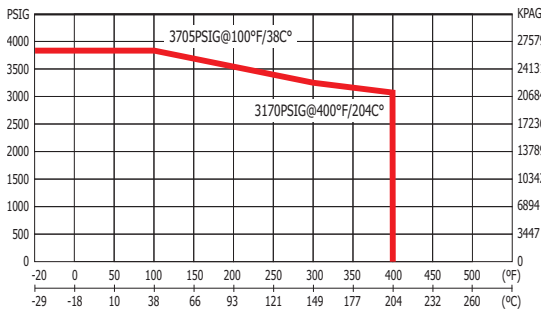
HM-3AFSW(-P) | 3LFSW(-P) 1.4



- Full Port
- Three Piece Threaded Body
- LF2 & A105N Forged Steel Construction
- Socket Weld Ends to ASME B1.20.1
- NPT Threads to ANSI B1.20.1
- **HM-3AFSW-P | 3LFSW-P MODELS**
(SW-Socket Weld Ends)
- **HM-3AFTSW-P | 3LFTSW-P MODELS**
(TSW-Screwed End X Socket Weld Ends)
- Blowout Proof Stem
- Anti-Static Design
- Positive Lock-Out Device
- Adjustable Gland
- Floating Ball
- ASME B16.34 design
- Class 1500 1/2 - 2
- Complies to NACE MR-0103
Complies with manufacturer requirements of
NACE MR0175/ISO15156
- Fire-Safe Certified to API-607
- Optional Full Seal Welded Cap
- Delrin Seats / Thrust Washer
(Peek Seats / Thrust Washer optional)

NAME / MATERIAL			
NO.	PART NAME	AFSW-P AFTSW-P	LFSW-P LFTSW-P
1	Handle	Carbon Steel	
2	Handle Nut	A36 C.S. Plated	
3	Lock Plate	A276 TYPE 304	
4	Gland Flange	A216 GR. WCB	
5	Belleville Washer	S.S. 301	
6	Gland	A276 TYPE 304	
7	Packing	Graphite	
8	Stem O-ring	VITON GLT (1 1/2-2)	
9	Thrust Washer	DELTRIN (PEEK)	
10	Body O-ring	VITON GLT	
11	Stem	A276 TYPE 316 (1/2 - 1 1/2) A564 TYPE 630 (17-4PH) (2)	
12	Ball	A351 GR. CF8M A182 GR. F316	
13	Seat	DELTRIN (PEEK)	
14	Body	A105N	A350 GR. LF2
15	Cap	A105N	A350 GR. LF2
16	Spring & Pin	A276 TYPE 304	
17	Stopper	A36 C.S. Plated	
18	Gland Bolt	A36 C.S. Plated	
19	Spacer	A36 C.S. Plated	
20	Washer	A276 TYPE 304	
21	Anti-Loosing Washer	A276 TYPE 304	
22	Brand Plate	A276 TYPE 304	
23	Identification Plate	A276 TYPE 304	

PRESSURE TEMPERATURE RATING



DIMENSIONS														
SIZE	DIMENSIONS											CV	WEIGHT KGS/LBS	
	A	B	C	D	E	F	G	H	J	K	S			I
15 1/2	12.7	48.0	96.0	64.3	122.0	12.0	8.0	36.0	21.7	17.0	38.0	M6	15	1.15
	0.50	1.89	3.78	2.531	4.80	0.47	0.31	1.417	0.854	0.669	1.50			2.53
20 3/4	19.0	53.0	106.0	105.8	172.0	13.0	8.0	36.0	27.0	17.0	50.0	M6	40	2.05
	0.75	2.09	4.17	4.165	6.77	0.51	0.31	1.417	1.063	0.669	1.97			4.51
25 1	24.0	66.5	133.0	108.8	172.0	13.0	8.0	36.0	33.8	19.0	54.50	M6	65	2.92
	0.94	2.62	5.24	4.283	6.77	0.51	0.31	1.417	1.331	0.748	2.15			6.43
40 1 1/2	38.1	67.5	135.0	134.5	279.0	19.0	12.0	50.0	48.6	23.0	82.0	M8	250	7.86
	1.50	2.66	5.31	5.295	10.98	0.75	0.47	1.968	1.913	0.906	3.23			17.32
50 2	50.0	76.5	153.0	150.0	302.0	20.0	12.0	70.0	61.6	24.0	105.0	M8	480	11.40
	1.96	3.01	6.02	5.964	11.89	0.79	0.47	2.756	2.406	0.945	4.13			25.13

For A105N low temp limit is -20°F (-29°C) For LF2 low temp limit is -40°F (-40°C)