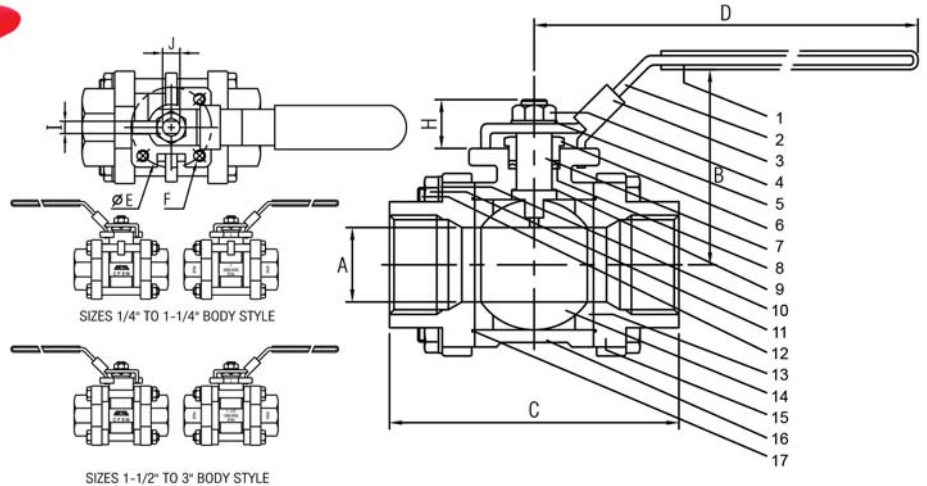


## G3/G3-7

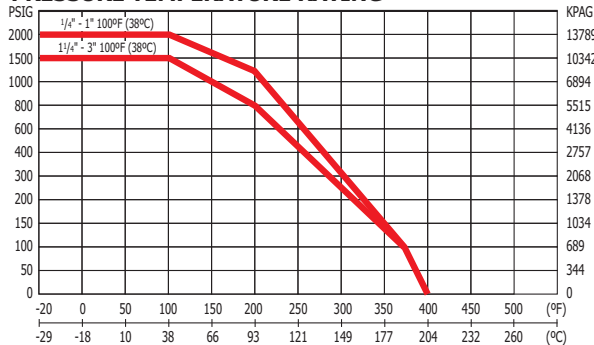
2.8



- Full port
- NPT ends to ANSI B1.20.1
- Three piece body
- Blowout-proof stem
- Adjustable packing gland
- Locking lever handle
- ISO 5211 mounting pad
- 2000 PSI, WOG 1/4" to 1"
- 1500 PSI, WOG 1-1/4" to 3"
- Complies with NACE MR-0103 & Supplier Requirements of NACE MR-0175/ISO 15156

NAME / MATERIAL			
NO.	PART NAME	MATERIAL G3	MATERIAL G3 -7
1	Handle Grip	Vinyl	Vinyl
2	Handle	A276 TYPE 304	A276 TYPE 304
3	Locking Device	A276 TYPE 304	A276 TYPE 304
4	Handle Nut	A276 TYPE 304	A276 TYPE 304
5	Stem Washer	A276 TYPE 304	A276 TYPE 304
6	Gland Nut	A276 TYPE 304	A276 TYPE 304
7	Stem	A276 TYPE 316	A351 GRADE CG8M
8	Packing	PTFE	PTFE
9	Thrust Washer	R-PTFE 15% GLASS-FILLED	R-PTFE 15% GLASS-FILLED
10	Bolt Washer	A276 TYPE 304	A276 TYPE 304
11	Hex Nut	A194 GRADE 8	A194 GRADE 8
12	Bolt	A193 GRADE B8	A193 GRADE B8
13	Seat	R-PTFE 15% GLASS-FILLED	R-PTFE 15% GLASS-FILLED
14	Ball	A351 GRADE CF8M	A351 GRADE CG8M
15	Cap	A351 GRADE CF8M	A351 GRADE CG8M
16	Body	A351 GRADE CF8M	A351 GRADE CG8M
17	Gasket	PTFE	PTFE

### PRESSURE TEMPERATURE RATING



DIMENSIONS												
SIZE		mm/in A	mm/in B	mm/in C	mm/in D	mm/in E	F	mm/in H	mm/in I	mm/in J	CV	WEIGHT KGS/ LBS
8	1/4"	9.5	67	60	120	36	M6	11.50	5.50	7.70	10	0.434
		0.374	2.638	2.362	4.724	1.417		0.453	0.217	0.303		0.955
10	3/8"	9.5	67	60	120	36	M6	12.50	5.50	7.70	10	0.420
		0.374	2.638	2.362	4.724	1.417		0.492	0.217	0.303		0.924
15	1/2"	15	68.5	70	120	36	M6	14.50	5.50	7.70	26	0.620
		0.591	2.697	2.756	4.724	1.417		0.571	0.217	0.303		1.364
20	3/4"	20	75	76	139	42	M6	18.00	6.50	9.30	50	0.910
		0.787	2.953	2.992	5.472	1.653		0.709	0.256	0.367		2.002
25	1"	25	79	92	139	42	M6	18.00	6.50	9.30	68	1.190
		0.984	3.110	3.622	5.472	1.653		0.709	0.256	0.367		2.618
32	1 1/4"	32	88.5	105	193	50	M8	23.50	8.00	12.50	120	1.930
		1.260	3.484	4.134	7.598	1.968		0.925	0.315	0.492		4.246
40	1 1/2"	38	94.5	120	193	70	M8	22.50	8.00	12.50	170	2.780
		1.496	3.720	4.724	7.598	2.756		0.886	0.315	0.492		6.116
50	2"	50.5	107	138	193	70	M8	25.00	10.00	15.60	360	4.750
		1.988	4.213	5.433	7.598	2.756		0.984	0.394	0.614		10.450
65	2 1/2"	65	129.5	170.5	244	102	M8	32.50	12.00	18.80	510	8.630
		2.559	5.098	6.713	9.606	4.016		1.280	0.472	0.740		18.986
80	3"	78	139.5	191	244	102	M8	31.00	12.00	18.80	900	13.460
		3.071	5.492	7.520	9.606	4.016		1.220	0.472	0.740		29.612