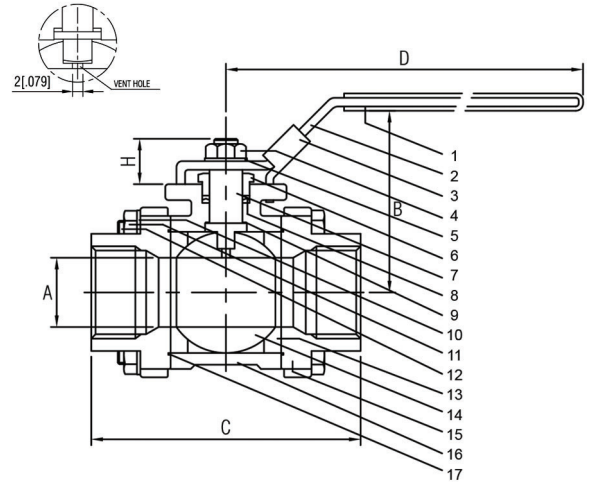
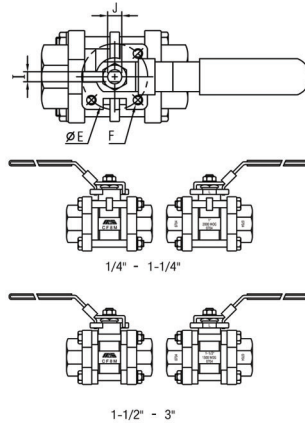
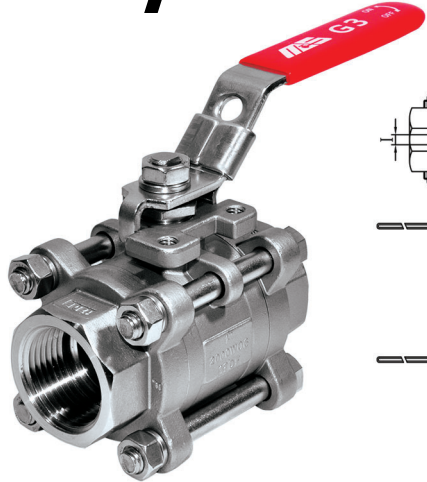


# G Series Investment Cast Stainless Steel Three Piece Full Port 2000 WOG 316 & 317 Ball Valves

# G3/G3-7

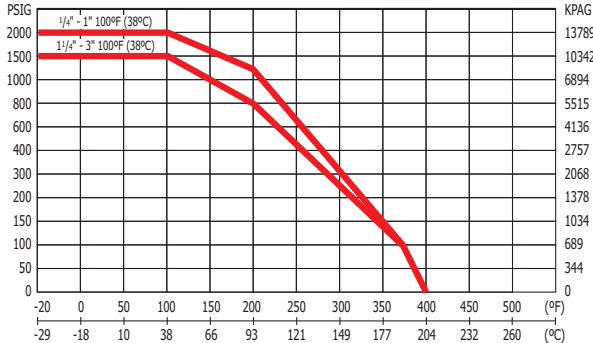
# 2.8



- Full port
- NPT ends to ANSI B1.20.1
- Three piece body
- Floating ball
- Blowout-proof stem
- Adjustable packing gland
- Locking lever handle
- ISO 5211 mounting pad
- 2000 PSI, WOG 1/4" to 1"
- 1500 PSI, WOG 1-1/4" to 3"
- Complies to NACE MR-0103  
Complies with manufacturer requirements of NACE MR0175/ISO15156

NAME / MATERIAL			
NO.	PART NAME	MATERIAL G3	MATERIAL G3 -7
1	Handle Grip	Vinyl	Vinyl
2	Handle	A276 TYPE 304	A276 TYPE 304
3	Locking Device	A276 TYPE 304	A276 TYPE 304
4	Handle Nut	A276 TYPE 304	A276 TYPE 304
5	Stem Washer	A276 TYPE 304	A276 TYPE 304
6	Gland Nut	A276 TYPE 304	A276 TYPE 304
7	Stem	A276 TYPE 316	A351 GRADE CG8M
8	Packing	PTFE	PTFE
9	Thrust Washer	R-PTFE 15% GLASS-FILLED	R-PTFE 15% GLASS-FILLED
10	Bolt Washer	A276 TYPE 304	A276 TYPE 304
11	Hex Nut	A194 GRADE 8	A194 GRADE 8
12	Bolt	A193 GRADE B8	A193 GRADE B8
13	Seat	R-PTFE 15% GLASS-FILLED	R-PTFE 15% GLASS-FILLED
14	Ball	A351 GRADE CF8M	A351 GRADE CG8M
15	Cap	A351 GRADE CF8M	A351 GRADE CG8M
16	Body	A351 GRADE CF8M	A351 GRADE CG8M
17	Gasket	PTFE	PTFE

### PRESSURE TEMPERATURE RATING



DIMENSIONS												
SIZE		mm/in A	mm/in B	mm/in C	mm/in D	mm/in E	F	mm/in H	mm/in I	mm/in J	CV	WEIGHT KGS/ LBS
8	1/4	9.5	67	60	120	36	M6	11.50	5.50	7.70	10	0.434
		0.374	2.638	2.362	4.724	1.417		0.453	0.217	0.303		0.955
10	3/8	9.5	67	60	120	36	M6	12.50	5.50	7.70	10	0.420
		0.374	2.638	2.362	4.724	1.417		0.492	0.217	0.303		0.924
15	1/2	15	68.5	70	120	36	M6	14.50	5.50	7.70	26	0.620
		0.591	2.697	2.756	4.724	1.417		0.571	0.217	0.303		1.364
20	3/4	20	75	76	139	42	M6	18.00	6.50	9.30	50	0.910
		0.787	2.953	2.992	5.472	1.653		0.709	0.256	0.367		2.002
25	1	25	79	92	139	42	M6	18.00	6.50	9.30	68	1.190
		0.984	3.110	3.622	5.472	1.653		0.709	0.256	0.367		2.618
32	1 1/4	32	88.5	105	193	50	M8	23.50	8.00	12.50	120	1.930
		1.260	3.484	4.134	7.598	1.968		0.925	0.315	0.492		4.246
40	1 1/2	38	94.5	120	193	70	M8	22.50	8.00	12.50	170	2.780
		1.496	3.720	4.724	7.598	2.756		0.886	0.315	0.492		6.116
50	2	50.5	107	138	193	70	M8	25.00	10.00	15.60	360	4.750
		1.988	4.213	5.433	7.598	2.756		0.984	0.394	0.614		10.450
65	2 1/2	65	129.5	170.5	244	102	M8	32.50	12.00	18.80	510	8.630
		2.559	5.098	6.713	9.606	4.016		1.280	0.472	0.740		18.986
80	3	78	139.5	191	244	102	M8	31.00	12.00	18.80	900	13.460
		3.071	5.492	7.520	9.606	4.016		1.220	0.472	0.740		29.612