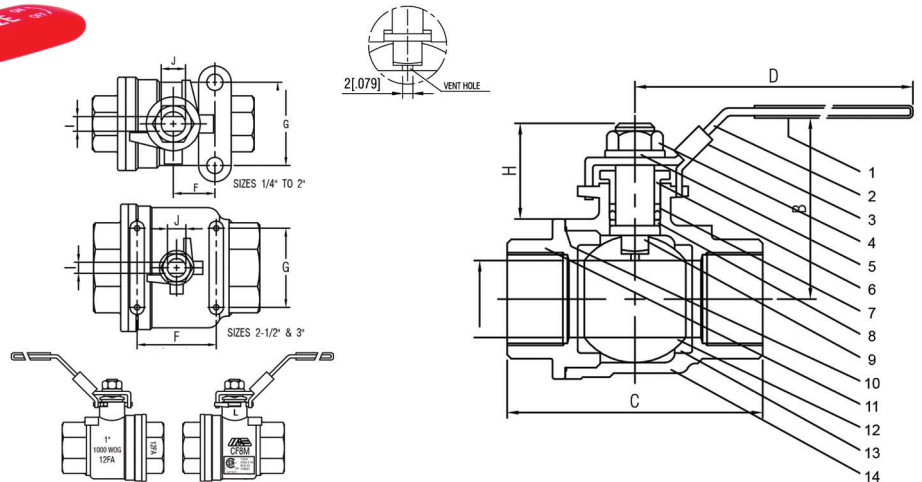
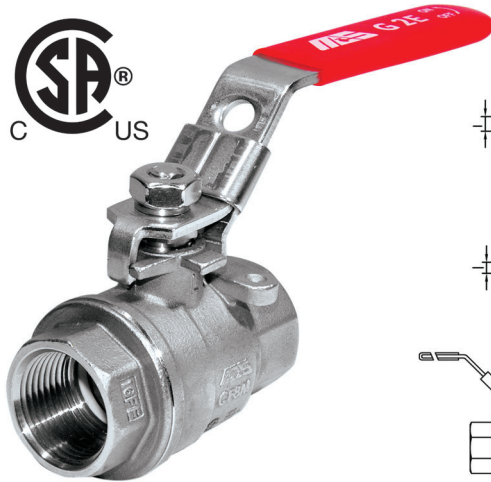


G2E

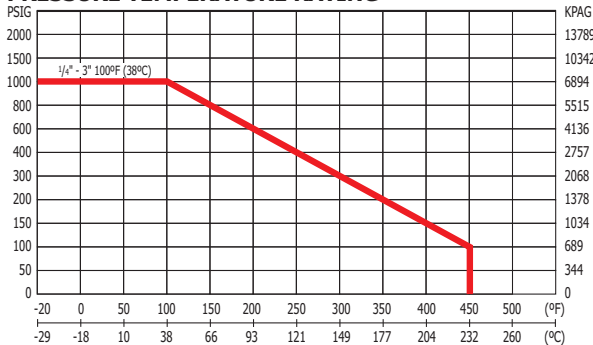
2.2



- Full port
- NPT ends to ANSI B1.20.1
- Two piece body
- Floating ball
- Blowout-proof stem
- Adjustable packing nut
- Locking lever handle
- Complies to NACE MR-0103
Complies with manufacturer requirements of NACE MR0175/ISO15156
- 1000 PSI, WOG 1/4" to 3"
- P-T 100 PSI @ 450°F
- NATURAL AND PROPANE GAS SERVICE:**
CSA 3.16 125 PSI TO -40°C (1/4" - 2")
-30°C (2-1/2" & 3")
- ASME B16.33 175 PSI (1/2" - 2")
- ASME B16.38 125 PSI (2-1/2" - 3")

NAME / MATERIAL		
NO.	PART NAME	MATERIAL
1	Handle Grip	Vinyl
2	Handle	A276 TYPE 304
3	Locking Device	A276 TYPE 304
4	Handle Nut	A276 TYPE 304
5	Stem Washer	A276 TYPE 304
6	Gland Nut	A276 TYPE 304
7	Packing	R-PTFE 15% GLASS-FILLED
8	Thrust Washer	R-PTFE 15% GLASS-FILLED
9	Stem	A276 TYPE 316
10	Gasket	R-PTFE 15% GLASS-FILLED
11	Cap	A351 GRADE CF8M
12	Ball	A351 GRADE CF8M
13	Seat	R-PTFE 15% GLASS-FILLED
14	Body	A351 GRADE CF8M

PRESSURE TEMPERATURE RATING



DIMENSIONS												
SIZE	DIMENSIONS										CV	WEIGHT KGS/ LBS
	mm/in A	mm/in B	mm/in C	mm/in D	mm/in F	mm/in G	mm/in H	mm/in I	mm/in J			
8	1/4	9.6	50.1	49.8	96.0	12.7	25.4	21.8	5.50	8.0	7	0.184
		0.378	1.972	1.961	3.780	0.500	1.000	0.858	0.217	0.315		0.406
10	3/8	9.6	50.1	49.8	96.0	12.7	25.4	21.8	5.50	8.0	7	0.186
		0.378	1.972	1.961	3.780	0.500	1.000	0.858	0.217	0.315		0.410
15	1/2	12.5	50.1	55.0	96.0	12.7	25.4	21.35	5.50	8.0	15	0.219
		0.492	1.972	2.165	3.780	0.500	1.000	0.841	0.217	0.315		0.483
20	3/4	20.0	64.8	66.0	119.5	14.85	29.7	26.0	6.0	8.1	45	0.389
		0.787	2.264	2.598	4.705	0.585	1.169	1.024	0.236	0.319		0.858
25	1	24.7	61.0	77.2	119.5	14.85	29.7	26.0	6.0	8.1	65	0.563
		0.972	2.402	3.039	4.705	0.585	1.169	1.024	0.236	0.319		1.241
32	1 1/4	32.0	71.0	90.0	138.2	17.68	35.40	31.0	8.1	10.2	125	1.274
		1.260	2.795	3.543	5.441	0.696	1.394	1.220	0.319	0.402		2.809
40	1 1/2	38.1	76.0	101	138.2	17.68	35.35	31.0	8.1	10.2	175	1.435
		1.500	2.992	3.976	5.441	0.696	1.392	1.220	0.319	0.402		3.164
50	2	50.0	91.5	117	159.2	23.62	49.5	39.0	10.0	14.0	380	2.489
		1.968	3.602	4.606	6.268	0.930	1.949	1.535	0.394	0.551		5.487
65	2 1/2	63.5	118.7	147	244.0	72.1	72.1	42.9	12.05	19.2	500	4.784
		2.500	4.673	5.797	9.606	2.839	2.839	1.689	0.474	0.756		10.547
80	3	76.0	128.7	168	244.0	72.1	72.1	43.9	12.05	19.2	900	7.133
		2.992	5.067	6.614	9.606	2.839	2.839	1.728	0.474	0.756		15.726