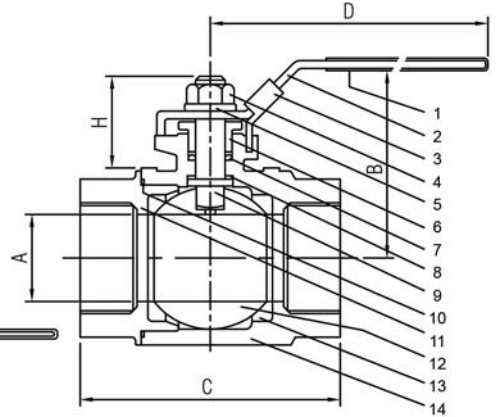
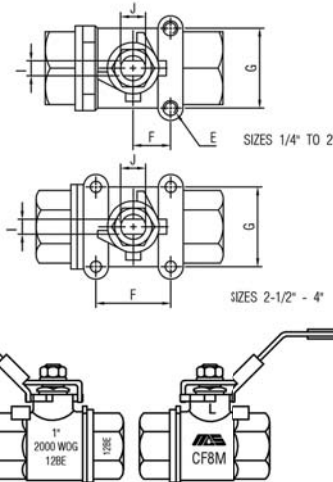


# G Series Investment Cast Stainless Steel 2000 WOG Ball Valves

# G2

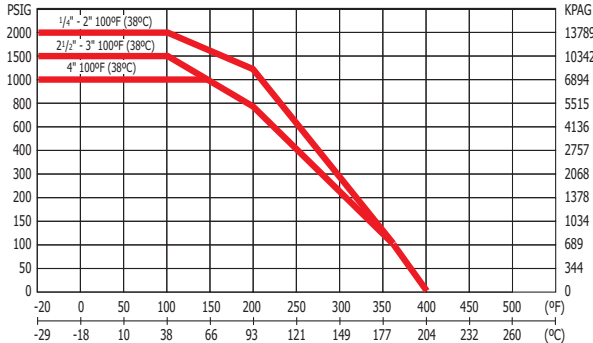
# 2.3



- Full port
- NPT threads to ANSI B1.20.1
- Two piece body
- Blowout proof stem
- Adjustable packing nut
- Locking lever handle
- Actuator mounting pad
- Floating ball
- Complies with NACE MR-0103 & Supplier Requirements of NACE MR-0175/ISO 15156
- 2000 PSI, WOG 1/4" to 2"
- 1500 PSI, WOG 2-1/2" to 3"
- 1000 PSI, WOG 4"
- Available with Oval handle for size range: 1/4"-2"
- 1/4" and 3/8" have non-tapped reserve holes cast in
- 1/2" to 2" mounting pads are tapped, 2 1/2" and 3"

NAME / MATERIAL		
NO.	PART NAME	MATERIAL
1	Handle Grip	Vinyl
2	Handle	A276 TYPE 304
3	Locking Device	A276 TYPE 304
4	Handle Nut	A276 TYPE 304
5	Stem Washer	A276 TYPE 304
6	Gland Nut	A276 TYPE 304
7	Packing	PTFE
8	Thrust Washer	R-PTFE 15% GLASS-FILLED
9	Stem	A276 TYPE 316
10	Gasket	PTFE
11	Cap	A351 GRADE CF8M
12	Ball	A351 GRADE CF8M
13	Seat	R-PTFE 15% GLASS-FILLED
14	Body	A351 GRADE CF8M

### PRESSURE TEMPERATURE RATING



NOTE 1 Untapped  
NOTE 2 Dimpled at drilling locations

DIMENSIONS														
SIZE	mm/in A	mm/in B	mm/in C	mm/in D	E	mm/in F	mm/in G	mm/in H	mm/in I	mm/in J	CV	WEIGHT KGS/ LBS	DIMENSIONS	
													mm/in	mm/in
8 1/4"	9.6	50.28	55.80	96	NOTE (1)	12.7	25.4	20.78	5.52	8.00	7	0.230	0.506	
	0.378	1.980	2.197	3.780	0.5	1.00	0.818	0.217	0.315					
10 3/8"	9.6	50.28	55.80	96	NOTE (1)	12.7	25.4	20.78	5.52	8.00	7	0.225	0.495	
	0.378	1.980	2.197	3.780	0.5	1.00	0.818	0.217	0.315					
15 1/2"	12.5	52.6	60.5	96	M5	12.7	25.4	23.1	5.55	8.00	15	0.280	0.616	
	0.492	2.071	2.382	3.780	0.5	1.00	0.909	0.219	0.315					
20 3/4"	20	59.25	72.5	119	M6	15.80	29.40	28.75	6.50	10	45	0.520	1.144	
	0.787	2.333	2.854	4.685	0.622	1.157	1.132	0.256	0.394					
25 1"	24.7	62.35	85.5	119	M6	15.80	29.40	27.85	6.50	10	65	0.765	1.683	
	0.972	2.455	3.366	4.685	0.622	1.157	1.096	0.256	0.394					
32 1 1/4"	32	79.90	93	149	M8	17.68	35.35	36.20	8.07	12.00	125	1.292	2.842	
	1.260	3.146	3.661	5.866	0.696	1.392	1.425	0.317	0.480					
40 1 1/2"	38.1	84.8	110.5	149	M8	25	49.50	37.30	8.07	12.00	175	1.864	4.101	
	1.5	3.339	4.350	5.866	0.984	1.949	1.469	0.317	0.480					
50 2"	50	94.6	128	174	M8	23.6	50	36.1	10.00	14.00	380	3.170	6.974	
	1.969	3.724	5.039	6.850	0.929	1.969	1.421	0.394	0.551					
65 2 1/2"	63.50	122.05	153.8	244	NOTE (2)	72.10	72.10	45.35	12.00	16.00	500	5.796	12.751	
	2.500	4.805	6.055	9.606	2.839	2.839	1.785	0.472	0.630					
80 3"	76	131.55	175.5	244	NOTE (2)	70.00	73.00	44.85	12.00	16.00	900	8.285	18.227	
	2.992	5.179	6.909	9.606	2.756	2.874	1.766	0.472	0.630					
100 4"	100	178.6	233	321	NOTE (2)	102	102	64.5	18	23	1250	20.5	45.194	
	3.937	7.031	9.173	12.637	4.015	4.015	2.539	0.708	0.905					