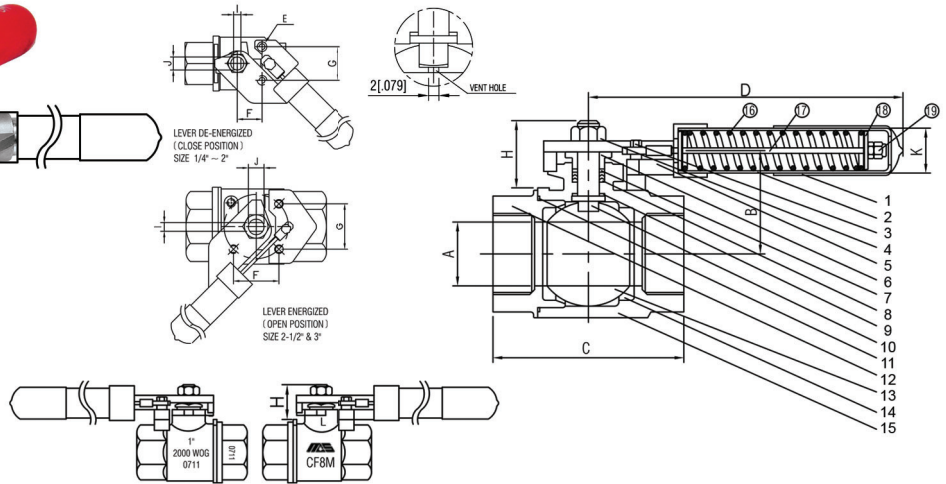
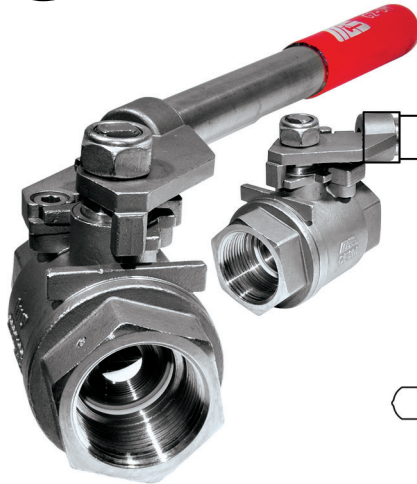


G2-DM

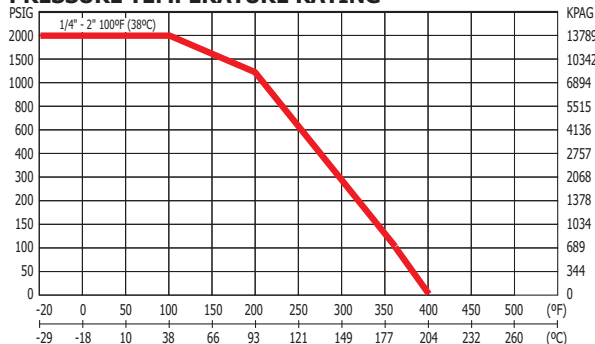
2.5



- Two piece body
- Floating ball
- Full port
- NPT threads to ANSI B1.20.1
- Blowout-proof stem
- Adjustable packing nut
- Deadman handle
- Complies to NACE MR-0103
- Complies with manufacturer requirements of NACE MR0175/ISO15156
- 2000 P.S.I. W.O.G. 1/4" to 2"

NAME / MATERIAL		
NO.	PART NAME	MATERIAL
1	Handle Grip	Vinyl
2	Handle Housing	A269 GR. TP304
3	Anchor Screw	A276 TYPE 304
4	Handle Nut	C.S.Plated
5	Anchor	A351 GRADE CF8M
6	Gland Nut	A276 TYPE 304
7	Packing Washer	PEEK
8	Packing	RPTFE 50% S.S. FILLED
9	Thrust Washer	PEEK
10	Stem	A276 TYPE 316
11	Gasket	PTFE
12	Cap	A351 GRADE CF8M
13	Ball	A351 GRADE CF8M
14	Seat	R-PTFE 15% GLASS-FILLED
15	Body	A351 GRADE CF8M
16	Spring	A29 GRADE 9260
17	Rod	A276 TYPE 304
18	Washer	A276 TYPE 304
19	Nuts	A194 GRADE 8

PRESSURE TEMPERATURE RATING



DIMENSIONS														
SIZE		mm/in A	mm/in B	mm/in C	mm/in D	E	mm/in F	mm/in G	mm/in H	mm/in I	mm/in J	mm/in K	CV	WEIGHT KGS/LBS
8	1/4	9.6	26.5	55.4	180.5	M6	12.73	25.4	25.5	5.50	7.70	22.0	7	0.605
		0.374	1.043	2.181	7.106		0.501	1.000	1.004	0.217	0.303	0.866		1.334
10	3/8	9.6	26.5	55.4	180.5	M6	12.73	25.4	25.5	5.50	7.70	22.0	7	0.595
		0.374	1.043	2.181	7.106		0.501	1.000	1.004	0.217	0.303	0.866		1.312
15	1/2	12.7	29.0	62.0	180.5	M6	12.73	25.4	25.5	5.50	7.70	22.0	15	0.658
		0.500	1.142	2.441	7.106		0.501	1.000	1.004	0.217	0.303	0.866		1.451
20	3/4	20	36.2	73.1	232.5	M6	15.8	29.40	32.5	6.50	9.30	22.0	45	0.872
		0.787	1.425	2.878	9.154		0.622	1.157	1.280	0.256	0.367	0.866		1.922
25	1	25	39.3	86.0	232.5	M6	15.8	29.40	31.0	6.50	9.30	22.0	65	1.112
		0.984	1.547	3.386	9.154		0.622	1.157	1.220	0.256	0.367	0.866		2.451
32	1 1/4	32	51.3	94.0	287	M8	23.6	35.00	41.6	8.00	12.50	22.0	125	1.556
		1.260	2.021	3.700	11.299		0.929	1.378	1.638	0.315	0.492	0.866		3.430
40	1 1/2	38	57.2	116.0	290	M8	23.6	49.20	41.0	8.00	12.50	22.0	175	2.655
		1.496	2.253	4.567	11.417		0.929	1.937	1.614	0.315	0.492	0.866		5.853
50	2	50.8	67.6	134.0	313	M8	23.6	49.2	46.0	10.00	15.60	32.0	380	3.746
		2.000	2.662	5.276	12.323		0.929	1.937	1.811	0.394	0.614	1.260		8.258