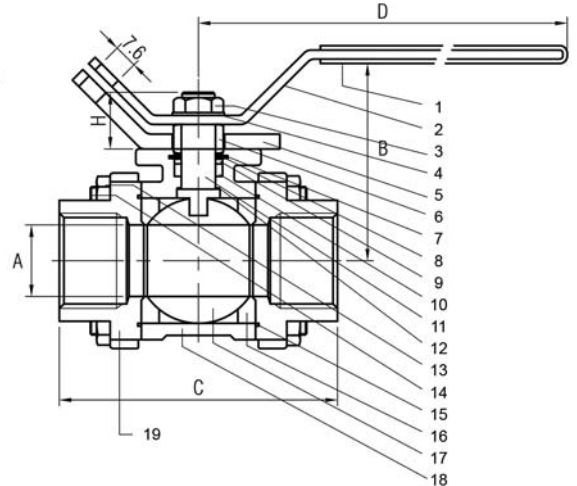
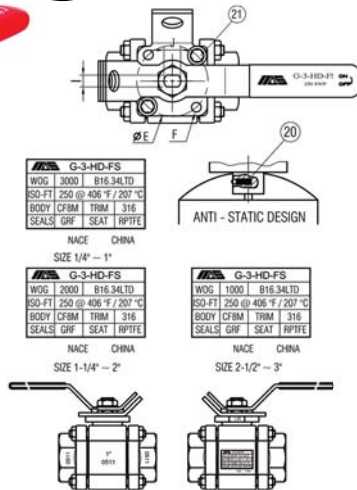


G3-HD-FS

2.10



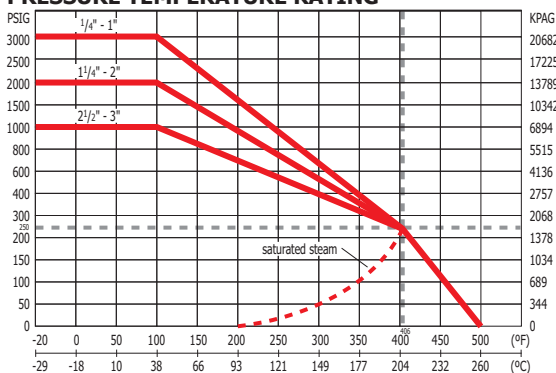
- Full port / Floating ball
- NPT threads to ANSI B1.20.1
- 3 piece body with blowout-proof stem
- Encapsulated bolt design
- Adjustable live loaded packing nut
- **250 PSIG saturated steam rated**
- Fire-safe certified to API 607
- Anti-static design
- Positive Lock-out device
- ISO 5211 mounting pad
- 3000 PSI, WOG from 1/4" to 1"
- 2000 PSI, WOG from 1-1/4" to 2"
- 1000 PSI, WOG from 2-1/2" to 3"
- Complies with NACE MR-0103 & Supplier Requirements of NACE MR-0175/ISO 15156

Also available:

- Model G-3-HD-FS-TSW (NPT x SW ends)
- Model G-3-HD-FS-SW (SW ends)

NAME / MATERIAL		
NO.	PART NAME	MATERIAL
1	Handle Grip	Vinyl
2	Handle	A276 TYPE 304
3	Handle Nut	A276 TYPE 304
4	Handle Washer	A276 TYPE 304
5	Lock-Out Plate	A276 TYPE 304
6	Gland Nut	A276 TYPE 304
7	Lock Washer	A276 TYPE 304
8	Belleville Washer	S.S.301
9	Gland	A276 TYPE 304
10	Packing	GRAPHITE
11	Stem	A276 TYPE 316
12	Thrust Washer	R-PTFE (TFM4215)
13	Hex Nut	A194 GRADE 8MA
14	Stud Bolt	A193 GRADE B8MA
15	Gasket	S.S. 304 + GRAPHITE
16	Seat	R-PTFE (TFM4215)
17	Ball	A351 GRADE CF8M
18	Body	A351 GRADE CF8M
19	Cap	A351 GRADE CF8M
20	Spring & pin	A276 TYPE 304
21	Stopper	A276 TYPE 304

PRESSURE TEMPERATURE RATING



DIMENSIONS													
SIZE		mm/in A	mm/in B	mm/in C	mm/in D	mm/in E	mm/in H	mm/in I	mm/in J	mm/in F	ISO 5211 FLANGE TYPE	CV	WEIGHT KGS/ LBS
8	1/4"	10	65.8	64.5	120	36	15.5	5.5	8.1	M6	F03	11	0.68
		0.37	2.59	2.54	4.72	1.417	0.61	0.22	0.32				1.499
10	3/8"	10	65.8	64.5	120	36	15.5	5.5	8.1	M6	F03	11	0.68
		0.37	2.59	2.54	4.72	1.417	0.61	0.22	0.32				1.499
15	1/2"	15	68.5	68.5	120	36	15.5	5.5	8.1	M6	F03	26	0.82
		0.50	2.70	2.70	4.72	1.417	0.61	0.22	0.32				1.808
20	3/4"	20	75	80.5	139	42	18.5	6.5	9.6	M6	F04	50	1.35
		0.75	2.95	3.17	5.47	1.654	0.73	0.26	0.38				2.976
25	1"	25	79	91.5	139	42	18.5	6.5	9.6	M6	F04	68	1.82
		1.00	3.11	3.60	5.47	1.654	0.73	0.26	0.38				4.012
32	1 1/4"	32	88.5	100.5	193	50	23.5	8	12.8	M8	F05	120	2.81
		1.25	3.48	3.96	7.60	1.969	0.93	0.32	0.50				6.195
40	1 1/2"	38	94.5	117	193	70	23.5	8	12.8	M8	F07	170	4.64
		1.50	3.72	4.61	7.60	2.756	0.93	0.32	0.50				10.299
50	2"	50	107	133.5	193	70	27.0	10	16.1	M8	F07	360	7.64
		2.00	4.21	5.26	7.60	2.756	1.06	0.39	0.63				16.843
65	2 1/2"	65	129.5	157.8	244	102	30.0	12	19.25	M8	F10	510	10.77
		2.50	5.10	6.21	9.61	4.016	1.18	0.47	0.76				23.744
80	3"	78	139.5	178	244	102	30.0	12	19.25	M8	F10	900	15.70
		3.00	5.49	7.01	9.61	4.016	1.18	0.47	0.76				34.612