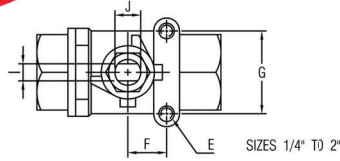
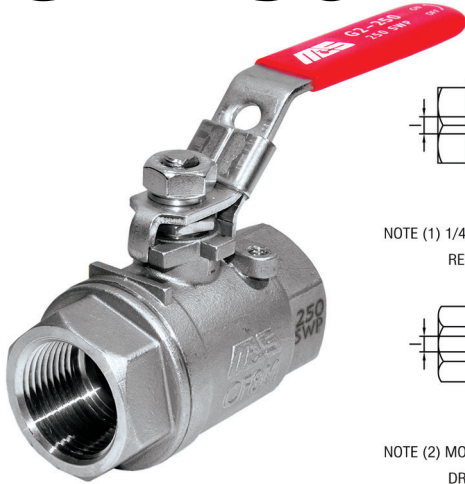


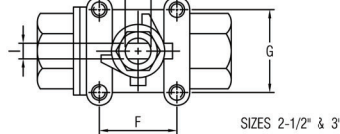
# G Series Investment Cast Stainless Steel 2000 WOG Two Piece Full Port 250 Steam Rated Ball Valves

# G2-250

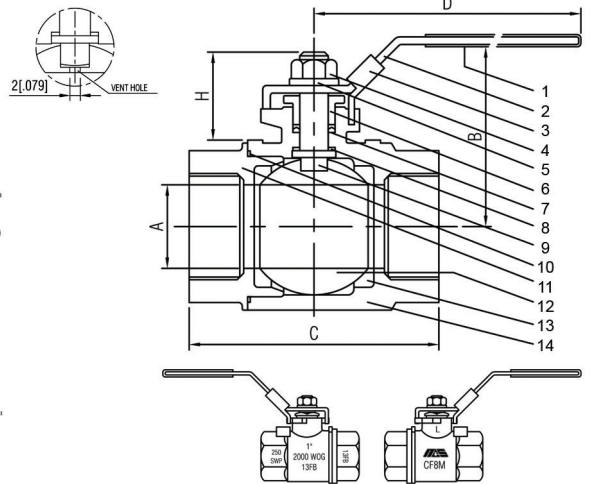
# 2.6



NOTE (1) 1/4" & 3/8" MOUNTING PADS HAVE UNTAPPED RESERVE HOLES CASTED IN.



NOTE (2) MOUNTING PADS ARE DIMPLED AT THE DRILLING LOCATIONS.

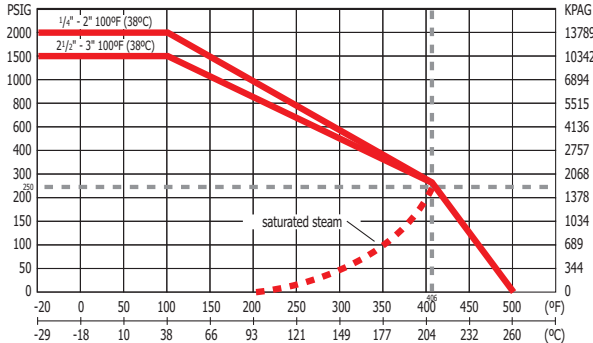


- Two piece body
- Full port
- Floating ball
- NPT ends to ANSI B1.20.1
- **250 PSIG saturated steam trim**
- Blowout proof stem
- Adjustable packing nut
- Locking lever handle
- Actuator mounting pad
- Complies to NACE MR-0103  
Complies with manufacturer requirements of NACE MR0175/ISO15156
- 2000 PSI, WOG 1/4" to 2"
- 1500 PSI, WOG 2-1/2" to 3"

- Available with oval handle for sizes 1/4" - 2"
- 1/4" and 3/8" have reserve holes cast in, 1/2" to 2" mounting pads are tapped, 2-1/2" and 3" are dimpled.

NAME / MATERIAL		
NO.	PART NAME	MATERIAL
1	Handle Grip	Vinyl
2	Handle	A276 TYPE 304
3	Locking Device	A276 TYPE 304
4	Handle Nut	A276 TYPE 304
5	Stem Washer	A276 TYPE 304
6	Gland Nut	A276 TYPE 304
7	Packing	R-PTFE(TFM-4215)
8	Thrust Washer	R-PTFE(TFM-4215)
9	Stem	A276 TYPE 316
10	Gasket	R-PTFE(TFM-4215)
11	Cap	A351 GRADE CF8M
12	Ball	A351 GRADE CF8M
13	Seat	R-PTFE(TFM-4215)
14	Body	A351 GRADE CF8M

## PRESSURE TEMPERATURE RATING



DIMENSIONS													
SIZE		mm/in A	mm/in B	mm/in C	mm/in D	E	mm/in F	mm/in G	mm/in H	mm/in I	mm/in J	CV	WEIGHT KGS/ LBS
8	1/4	9.6	50.28	55.80	96	NOTE (1)	12.7	25.4	20.78	5.52	8.00	7	0.230
		0.378	1.980	2.197	3.780	(1)	0.5	1.00	0.818	0.217	0.315		0.506
10	3/8	9.6	50.28	55.80	96	NOTE (1)	12.7	25.4	20.78	5.52	8.00	7	0.225
		0.378	1.980	2.197	3.780	(1)	0.5	1.00	0.818	0.217	0.315		0.495
15	1/2	12.5	52.6	60.5	96	M5	12.7	25.4	23.1	5.55	8.00	15	0.280
		0.492	2.071	2.382	3.780		0.5	1.00	0.909	0.219	0.315		0.616
20	3/4	20	59.25	72.5	119	M6	15.80	29.40	28.75	6.50	10	45	0.520
		0.787	2.333	2.854	4.685		0.622	1.157	1.132	0.256	0.394		1.144
25	1	24.7	62.35	85.5	119	M6	15.80	29.40	27.85	6.50	10	65	0.765
		0.972	2.455	3.366	4.685		0.622	1.157	1.096	0.256	0.394		1.683
32	1 1/4	32	79.90	93	149	M8	17.68	35.35	36.20	8.07	12.00	125	1.292
		1.260	3.146	3.661	5.866		0.696	1.392	1.425	0.317	0.480		2.842
40	1 1/2	38.1	84.8	110.5	149	M8	25	49.50	37.30	8.07	12.00	175	1.864
		1.5	3.339	4.350	5.866		0.984	1.949	1.469	0.317	0.480		4.101
50	2	50	94.6	128	174	M8	23.6	50	36.1	10.00	14.00	380	3.170
		1.969	3.724	5.039	6.850		0.929	1.969	1.421	0.394	0.551		6.974
65	2 1/2	63.50	122.05	153.8	244	NOTE (2)	72.10	72.10	45.35	12.00	16.00	500	5.796
		2.500	4.805	6.055	9.606		2.839	2.839	1.758	0.472	0.630		12.751
80	3	76	131.5	175.5	244	NOTE (2)	70.00	73.00	44.85	12.00	16.00	900	8.285
		2.992	5.179	6.909	9.606		2.756	2.874	1.766	0.472	0.630		18.227