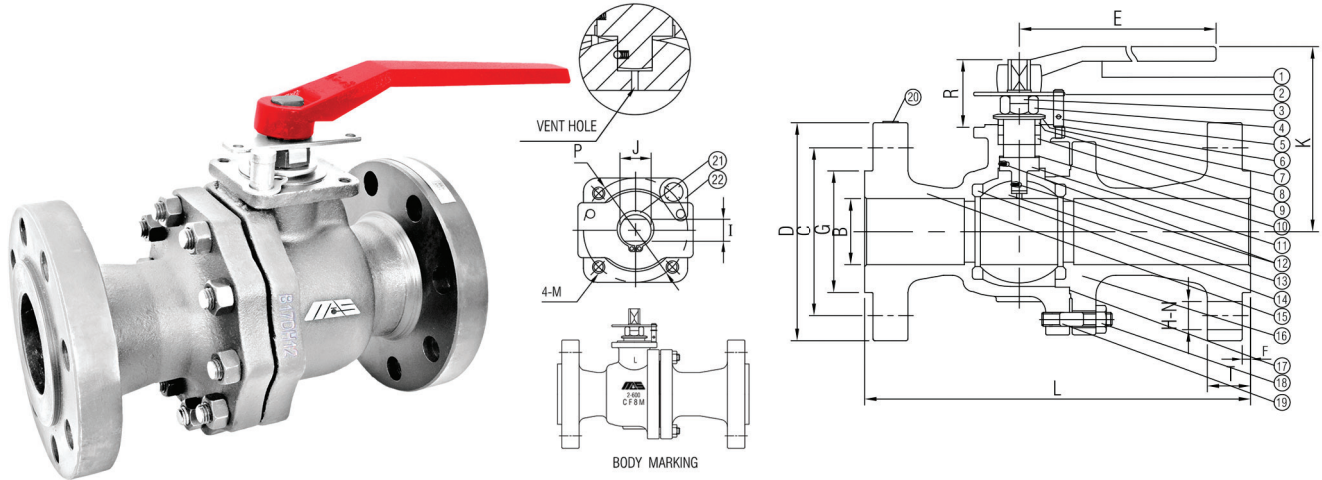


# F Series Flanged Stainless Steel Class 600 Two Piece Full Port Ball Valves

# F600-SS-F-FS-N

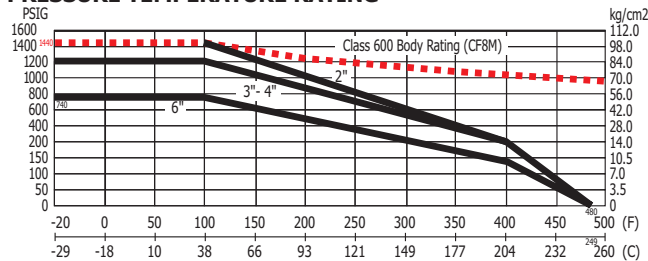
# 3.13



- Full port, Two piece body
- ASME B16.34 Class 600
- Cavity Relief Seat
- ISO 5211 Mounting pad
- Floating Ball, Anti-static device
- Open/Closed lockout capability
- **API 607 Fire-safe**
- Complies to NACE MR-0103  
Complies with manufacturer requirements of NACE MR0175/ISO15156

NAME / MATERIAL			
NO.	PART NAME	MATERIAL	QTY
1	HANDLE	DUCTILE IRON	1
2	STOPPER PLATE	A276 TYPE 304	1
3	LOCK WASHER	A276 TYPE 304	1
4	GLAND NUT	A276 TYPE 304	1
5	STOPPER PIN	A276 TYPE 304	1
6	LOCK WASHER	A276 TYPE 304	1
7	BELLEVILLE WASHER	S.S. 301	2
8	GLAND	A276 TYPE 304	1
9	PACKING	GRAPHITE	1 SET
10	THRUST WASHER	RPTFE 15% GFT	1
11	STEM	A276 TYPE 316	1
12	ANTI-STATIC DEVICE	A276 TYPE 304	2 SETS
13	BALL	A351 CF8M	1
14	SEAT	PTFE +25% CARBON	2
15	BODY	A351 CF8M	1
16	CAP	A351 CF8M	1
17	BODY SEAL	304+GRAPHITE	1
18	BOLT NUT	A194 GRADE 8MA	1 SET
19	STUD BOLT	A193 GRADE B8M	1 SET
20	IDENTIFICATION PLATE	A276 TYPE 304	1
21	RETAINING RING	CARBON STEEL	1
22	LOCK PLATE	A276 TYPE 304	1

### PRESSURE TEMPERATURE RATING



DIMENSIONS																		
SIZE	mm/in B	mm/in C	mm/in D	mm/in E	mm/in F	mm/in G	mm/in H	mm/in I	mm/in J	mm/in K	mm/in L	in M	mm/in N	mm/in P	mm/in T	mm/in R	ISO FLG	WEIGHT KGS/LBS
2	50	127	165	230	6.35	92	19	14	20	158	292	5/16	8	70	31.8	49	F07	17.26
	1.97	5.00	6.50	9.06	0.25	3.62	0.75	0.55	0.79	6.22	11.50	-UNC	8	2.76	1.25	1.93		37.97
3	76	168	210	400	6.35	127	22.3	17	25	194	356	3/8	8	102	38.1	61	F10	39.25
	3.00	6.61	8.27	15.75	0.25	5.00	0.88	0.67	0.98	7.64	14.02	-UNC	8	4.02	1.50	2.40		86.35
4	100	216	273	460	6.35	157	25.4	23	34	215.5	432	1/2	8	125	44.5	73	F12	71.74
	3.94	8.50	10.75	18.11	0.25	6.18	1.00	0.91	1.34	8.48	17.00	-UNC	8	4.92	1.75	2.87		157.83
6	150	292	356	1000	6.35	216	28.5	27	40	301.5	559	5/8	12	140	54.1	90	F14	161.62
	5.91	11.50	14.02	39.37	0.25	8.50	1.12	1.06	1.57	11.87	22.00	-UNC	12	5.51	2.13	3.54		355.56