

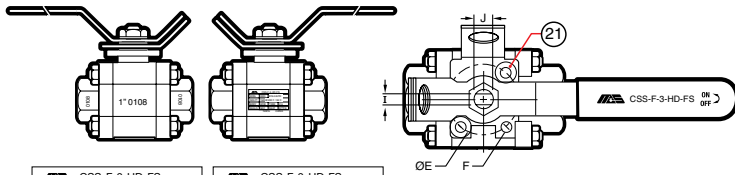
C Series Carbon Steel 3 Piece API 607 Ball Valves

CSS-F-3-HD-FS



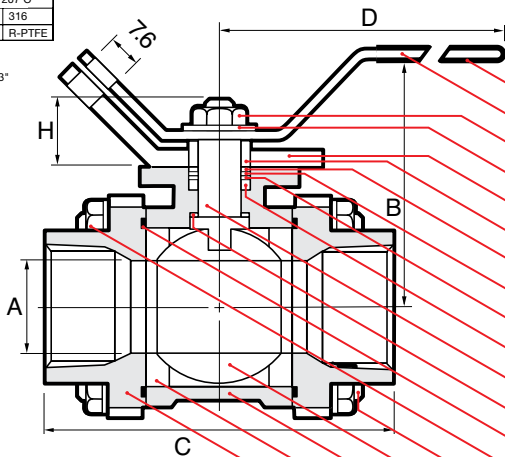
Three piece body / Full port
NPT threads to ANSI B1.20.1
Anti-static design
Blowout proof stem
Adjustable live loading packing nut
Positive lock-out device
ISO 5211 mounting pad
Complies with NACE MR-0103
& Supplier Requirements of
NACE MR-0175/ISO 15156
Fire-safe certified to API-607 5th edition
250 PSIG steam rated
3000 P.S.I. W.O.G. (1500 class) 1/4" to 1"
2000 P.S.I. W.O.G. (900 class) 1-1/4" to 2"
1000 P.S.I. W.O.G. (600 class) 2-1/2" to 3"

4.8

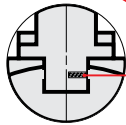


CSS-F-3-HD-FS				CSS-F-3-HD-FS			
WOG	3000	B16.34LTD		WOG	2000	B16.34LTD	
ISO-FT	250 @ 406 F / 207 C			ISO-FT	250 @ 406 F / 207 C		
BODY	WCB	TRIM	316	BODY	WCB	TRIM	316
SEALS	GRF	SEAT	R-PTFE	SEALS	GRF	SEAT	R-PTFE
NACE				NACE			
SIZE 1/4" - 1"				SIZE 1-1/4" - 2"			

CSS-F-3-HD-FS			
WOG	1000	B16.34LTD	
ISO-FT	250 @ 406 F / 207 C		
BODY	WCB	TRIM	316
SEALS	GRF	SEAT	R-PTFE
NACE			
SIZE 2-1/2" - 3"			



• Socketweld ends available



NAME / MATERIAL

1. Handle Grip / Vinyl
2. Handle / Stainless Steel A276 Type 304
3. Handle Nut / Stainless Steel A276 Type 304
4. Handle Washer / Stainless Steel A276 Type 304
5. Lock-Out Plate / Stainless Steel A276 Type 304
6. Gland Nut / Stainless Steel A276 Type 304
7. Lock Washer / Stainless Steel A276 Type 304
8. Belleville Washer / Stainless Steel 301
9. Gland / Stainless Steel A276 Type 304
10. Packing / Graphite
11. Stem / Stainless Steel A276 Type 316
12. Thrust Washer / R-PTFE (TFM4215)
13. Gasket / Graphite + Stainless Steel 304
14. Hex Nut / A194 grade 2HM
15. Stud Bolt / A193 grade B7M
16. Ball / Stainless Steel A351 CF8M (316)
17. Body / Cast Steel A216 WCB
18. Seat / R-PTFE (TFM4215)
19. Cap / Stainless Steel A216 WCB
20. Spring & Pin / A276 Type 304
21. Stopper / C.S. Plated

D I M E N S I O N S										
size	8	10	15	20	25	32	40	50	65	80
mm/in	1/4	3/8	1/2	3/4	1	1 1/4	1 1/2	2	2 1/2	3
A	10.00	10.00	15.00	20.00	25.00	32.00	38.00	50.00	65.00	78.00
mm/in	0.37	0.37	0.50	0.75	1.00	1.25	1.50	2.00	2.50	3.00
B	65.80	65.80	68.50	75.00	79.00	88.50	94.50	107.00	129.50	139.50
mm/in	2.59	2.59	2.70	2.95	3.11	3.48	3.72	4.21	5.10	5.49
C	64.5	64.5	68.5	80.5	91.5	100.5	117.0	133.5	157.8	178.0
mm/in	2.54	2.54	2.70	3.17	3.60	3.96	4.61	5.26	6.21	7.01
D	120.00	120.00	120.00	139.00	139.00	193.00	193.00	193.00	244.00	244.00
mm/in	4.72	4.72	4.72	5.47	5.47	7.60	7.60	7.60	9.61	9.61
E	36.00	36.00	36.00	42.00	42.00	50.00	70.00	70.00	102.00	102.00
mm/in	1.417	1.417	1.417	1.654	1.654	1.969	2.756	2.756	4.016	4.016
F	M6	M6	M6	M6	M6	M8	M8	M8	M8	M8
ISO Flg	F03	F03	F03	F04	F04	F05	F07	F07	F10	F10
H	15.50	15.50	15.50	18.50	18.50	23.50	23.50	27.00	30.00	30.00
mm/in	0.61	0.61	0.610	0.73	0.73	0.93	0.93	1.06	1.18	1.18
I	5.50	5.50	5.50	6.50	6.50	8.00	8.00	10.00	12.00	12.00
mm/in	0.22	0.22	0.22	0.26	0.26	0.32	0.32	0.39	0.47	0.47
J	8.10	8.10	8.1	9.6	9.6	12.8	12.8	16.1	19.25	19.25
mm/in	0.32	0.32	0.32	0.38	0.38	0.50	0.50	0.63	0.76	0.76
CV	11	11	26	50	68	120	170	360	510	900
Weights	0.68	0.68	0.82	1.35	1.82	2.81	4.64	7.64	10.77	15.70
kg/lb	1.499	1.499	1.808	2.976	4.012	6.195	10.229	16.843	23.744	34.612

Valves comply to B16.34 Class 600, 900 & 1500 wall thickness.

PRESSURE TEMPERATURE RATING

