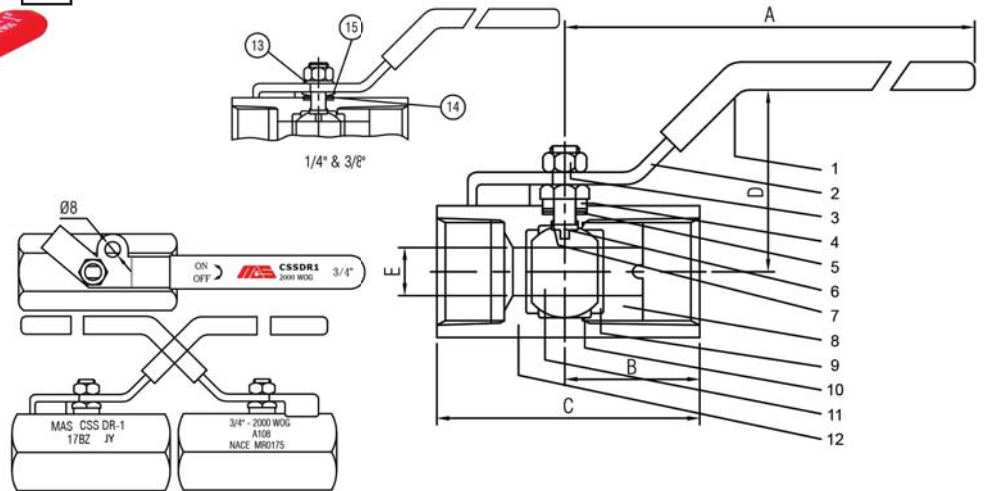


CSSDR-1

4.1

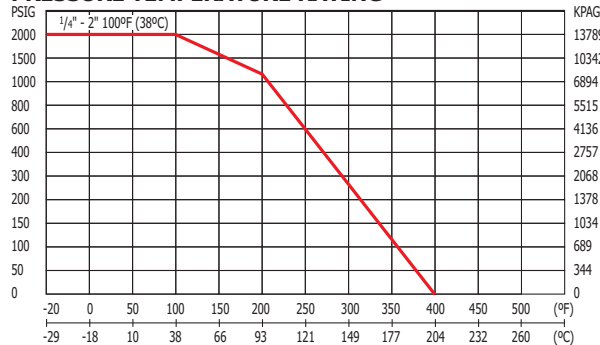


- Reduced port
- NPT ends to ANSI B1.20.1
- One piece body
- Blowout-proof stem
- 2000 p.s.i., W.O.G.
- Complies with NACE MR-0103 & Supplier Requirements of NACE MR-0175/ISO 15156

Oval handles optionally available
Lockout hole diameter is 8mm

NAME / MATERIAL		
NO.	PART NAME	MATERIAL
1	Handle Grip	Vinyl
2	Handle	C.S. Plated
3	Handle Nut	C.S. Plated
4	Packing Bushing	A276 TYPE 304
5	Packing	PTFE
6	Stem	A276 TYPE 316
7	Thrust Washer	R-PTFE 15% GLASS-FILLED
8	Seat Retainer	C.S. A108 GR 1020
9	Seat	R-PTFE 15% GLASS-FILLED
10	Gasket	PTFE
11	Ball	A351 GRADE CF8M
12	Body	1/4"~1-1/2" C.S. A108 GR 1020 2" C.S. A105N
13	Stem Washer	A276 TYPE 304
14	Spring Washer	A276 TYPE 304
15	Belleville Washer	S.S. 301

PRESSURE TEMPERATURE RATING



DIMENSIONS								
SIZE		mm/in A	mm/in B	mm/in C	mm/in D	mm/in E	CV	WEIGHT KGS/LBS
8	1/4"	71.00	23.90	43.10	30.0	4.60	1.5	0.100
		2.80	0.94	1.70	1.80	0.18		0.220
10	3/8"	85.50	26.05	47.35	33.35	6.80	3.5	0.153
		3.37	1.03	1.86	1.31	0.27		0.337
15	1/2"	109.47	32.95	61.72	54.41	9.20	5.7	0.315
		4.31	1.30	2.43	2.14	0.36		0.693
20	3/4"	112.5	37.25	69.85	55.00	12.50	10	0.460
		4.43	1.47	2.75	2.17	0.49		1.012
25	1"	112.5	44.50	85.73	61.50	16.00	16	0.690
		4.43	1.75	3.38	2.42	0.63		1.518
32	1 1/4"	147.5	48.60	93.67	73.50	20.00	25	1.439
		5.81	1.91	3.69	2.89	0.79		3.166
40	1 1/2"	147.5	52.55	101.6	75.00	24.70	40	1.455
		5.81	2.07	4.00	2.95	0.97		3.201
50	2"	154.0	57.70	114.3	85.50	32.00	62	2.700
		6.06	2.27	4.50	3.37	1.26		5.940