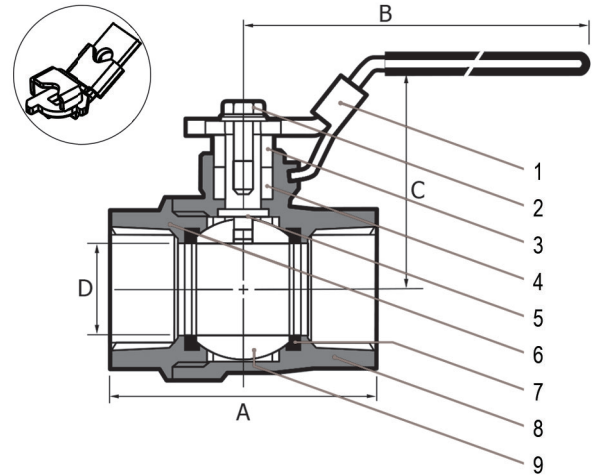


# BZ-3SS-250

5.15



- Cast 2 piece construction
- Full Port
- ANSI B1.20.1 NPT ends
- Blowout-Proof Stem
- **316SS Ball & Stem**
- Adjustable Packing Gland
- Locking Handle
- Steam Rated Seats and Seals
- **250 WSP 600 WOG (1/2 to 2")**
- **200 WSP 400 WOG (2 1/2 to 3")**

BZ-3SS-250 PART/MATERIAL		
NO.	PART NAME	MATERIAL
1	Lever	SS AISI type 430
2	Lever Screw	SS AISI type 430
3	Packing Nut	Brass ASTM B124-C37700
4	Stem Packing	Graphoil
5	Stem	SS ASTM A276 type 316
6	Cap	Bronze ASTM B62 / B30-C83600
7	Seat	R-PTFE Graphite-Filled
8	Body	Bronze ASTM B62 / B30-C83600
9	Ball	SS ASTM A276 type 316

BZ-3SS-250 DIMENSIONS						
Size	1/2	3/4	1	1 1/4	1 1/2	2
<b>A</b>	57.0	67.0	77.0	91.0	103.0	122.0
mm/in	2.24	2.64	3.03	3.58	4.06	4.80
<b>B</b>	91.5	91.5	126.5	126.5	141.5	141.5
mm/in	3.60	3.60	4.98	4.98	5.57	5.57
<b>C</b>	54.0	57.5	65	71.0	83.0	91.0
mm/in	2.06	2.20	2.73	2.95	3.52	3.82
<b>D</b>	15.0	20.0	25.0	32.0	40.0	50.0
mm/in	0.59	0.79	0.98	1.26	1.57	1.97
Weight lb	0.59	0.82	1.32	2.06	3.55	5.60
Weight kg	0.26	0.37	0.59	0.93	1.61	2.54

## PRESSURE TEMPERATURE RATING

