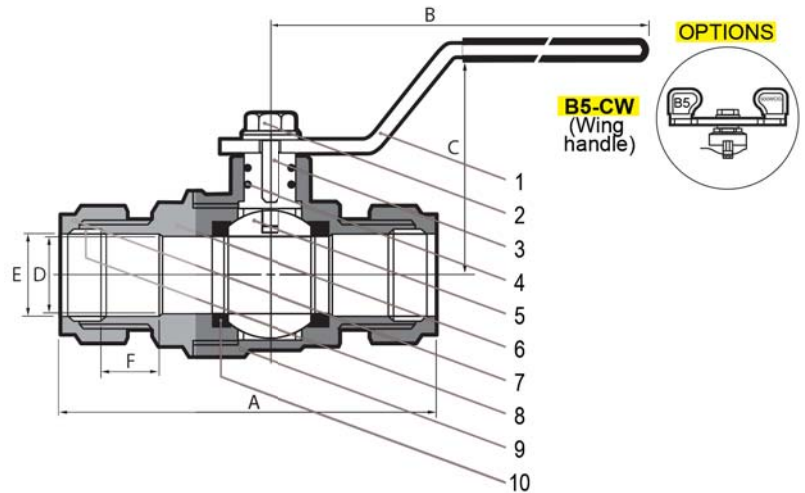


B Series Compression End Forged Brass Ball Valves

B-5C

5.9

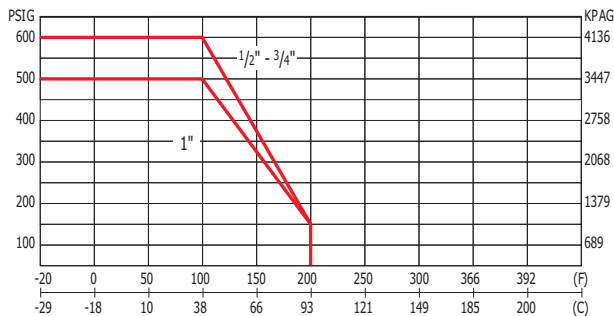


- Forged 2 piece construction
- Full port
- **Compression ends for use with type K L & M copper tube**
- Blowout-proof stem
- Chrome plated ball
- Class 150, 600 WOG (1/2" & 3/4")
500 WOG (1")

B-5C PART/MATERIAL		
NO.	PART NAME	MATERIAL
1	Lever	Steel ASTM A36
2	Lever Screw	Steel ASTM A36
3	Stem	Brass ASTM B124-C37700
4	O Ring	NBR
5	Ball	Brass ASTM B283-C37700 Chrome Plated
6	Cap	Brass ASTM B283-C37700
7	End Nut	Brass ASTM B283-C37700
8	Ferrule	Brass ASTM C27200
9	Body	Brass ASTM B283-C37700
10	Seats	PTFE
11	Wing Handle	Steel Zinc Plated

B-5C DIMENSIONS								
Size (mm/in)	A	B	C	D	E	F	CV	Weight lb/kg
1/2"	75	91.5	45	15	15.97	12.7	15	0.6
	2.95	3.60	1.77	0.61	0.65	0.52		0.28
3/4"	87	91.5	48.5	20	22.32	14	30	0.85
	3.42	3.60	1.98	0.79	0.91	0.57		0.39
1"	96	126.5	52.5	25	28.7	16	60	1.30
	3.77	4.98	2.07	0.98	1.17	0.65		0.59

PRESSURE TEMPERATURE RATING



*NOTES:

- Compression end limits below;
- 300 PSIG @ 15F to 160F (-9.4C to 71C)
- 150 PSIG @ 200F (93C)