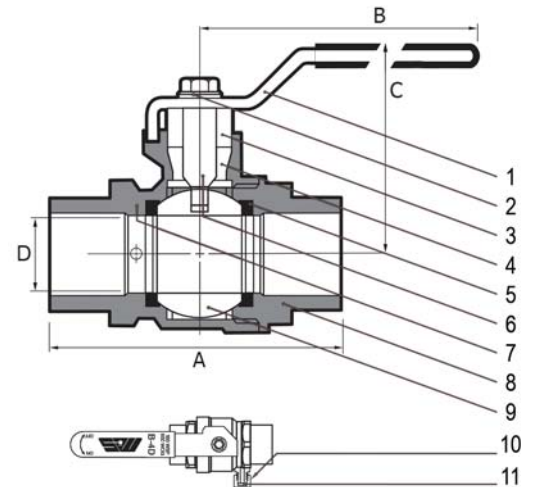


B-4D

5.7



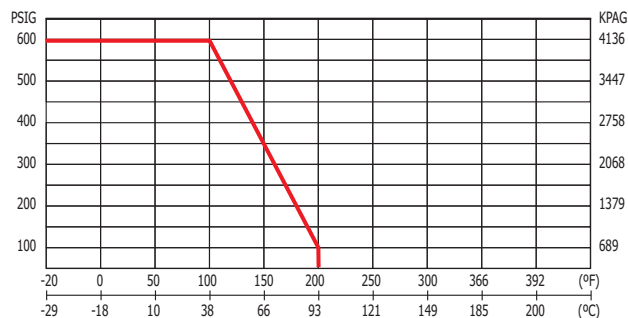
- Forged 2 piece construction
- Full port
- ANSI B16.22 solder ends (CXC)
- Blowout-proof stem
- Chrome plated ball
- Adjustable packing gland
- Class 150, 600 WOG



B-4D PART/MATERIAL		
NO.	PART NAME	MATERIAL
1	Lever	Steel ASTM A36
2	Lever Screw	Steel ASTM A36
3	Packing Nut	Brass ASTM B124-C37700
4	Packing	PTFE
5	Seats	PTFE
6	Stem	Brass ASTM B124-C37700
7	Cap	Brass ASTM B-283-C37700
8	Body	Brass ASTM B-283-C37700
9	Ball	Brass ASTM B283 / B124-C37700 Chrome Plated
10	Drain Cap	ASTM Brass B124-C37700
11	Drain Cap Washer	NBR

B-4D DIMENSIONS			
Size	1/2"	3/4"	1"
A	58	76.5	89.5
mm/in	2.28	3.01	3.52
B	91.5	91.5	126.5
mm/in	3.60	3.60	4.98
C	54.4	57.5	65.3
mm/in	2.15	2.27	2.57
D	15.0	20.0	25.0
mm/in	0.59	0.79	0.99
CV	15	30	60
Weight	0.50	0.75	1.2
lb/kg	0.23	0.34	0.55

PRESSURE TEMPERATURE RATING



*NOTES:

- 1) The safe working pressure-temperature rating for a solder joint piping system is dependent not only on valve seat rating but also on the limitations of the solder used for the joints. Refer to ANSI B16-22 - Table I.1 for the maximum recommended pressure-temperature ratings for solder joints.
- 2) Exercise caution during installation by applying heat away from the valve body. Excessive direct flame may damage body seats and seals.
- 3) It is not recommended to use this drain feature valve with any hostile fluid, gas or high temperature application.
- 4) Always depressurize the system before removing the drain cap.