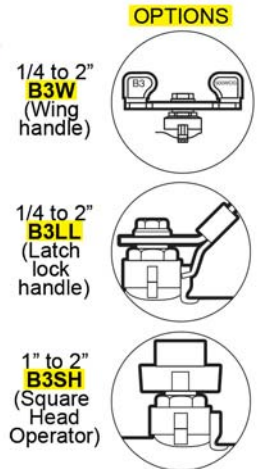
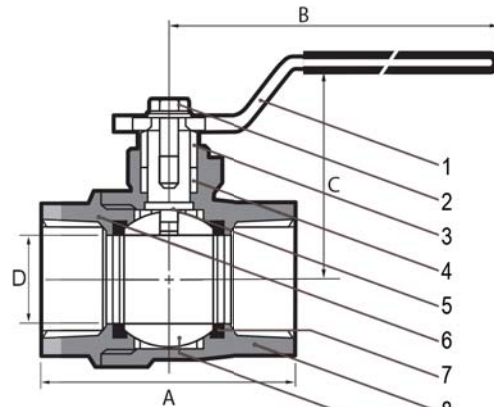


## B-3

## 5.3



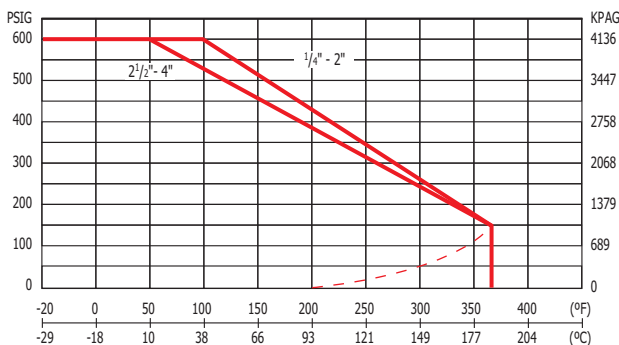
- Forged 2 piece construction, Full port
- ANSI B1.20.1 NPT ends
- Blowout-proof stem, Chrome plated ball
- Adjustable packing gland
- Class 150 WSP, 600 WOG
- Certified to:  
ANSI Z21.15/CSA 9.1 (1/2 PSIG)  
ASME B16.44/CGA-CR91-002 (2 & 5 PSIG)  
ASME B16.33/CGA-3.16 (125 PSIG)  
-40° to 120°F  
cULus 55AO Trim&Drain

B-3 PART/MATERIAL			
NO.	PART NAME	B3 MATERIAL	B-3-SS-LL MATERIAL
1	Lever	Steel ASTM A36	(AISI 430SS)
2	Lever Screw	Steel ASTM A36	(AISI 430SS)
3	Packing Nut	Brass ASTM B124-C37700	
4	Packing	PTFE	
5	Stem	Brass ASTM B124-C37700	(ASTM A276 Type 316SS)
6	Cap	Brass ASTM B283-C37700	
7	Seats	PTFE	
8	Body	Brass ASTM B283-C37700	
9	Ball	Brass ASTM B124-C37700 Chrome Plated	(ASTM A276 Type 316SS)
10	Wing and Latch lock handles	Steel A36 Zinc Plated	

**B-3-SS-LL (SS Trim)** is available for 1/4" to 2"

B-3 DIMENSIONS											
Size	1/4"	3/8"	1/2"	3/4"	1"	1 1/4"	1 1/2"	2"	*2 1/2"	*3"	*4"
<b>A</b>	44	44	54	62.2	72.4	83.2	96.4	110.3	150	173.2	192
mm/in	1.73	1.73	2.12	2.44	2.84	3.27	3.79	4.34	5.90	6.81	7.55
<b>B</b>	81	81	91.5	91.5	126.5	126.5	141.5	141.5	281	281	281
mm/in	3.18	3.18	3.60	3.60	4.98	4.98	5.57	5.57	11.06	11.06	11.06
<b>C</b>	39	39	53.4	57	65.3	70	83	90.5	118	130	143
mm/in	1.55	1.54	2.12	2.26	2.57	2.76	3.28	3.58	4.65	5.20	5.62
<b>D</b>	10	10	15	20	25	32	40	50	65	80	100
mm/in	0.39	0.39	0.59	0.78	0.98	1.25	1.57	1.96	2.55	3.14	3.93
<b>CV</b>	8	8	15	30	60	110	130	360	450	620	1200
<b>Weight</b>	0.25	0.25	0.50	0.75	1.2	1.8	2.7	3.9	8.4	11	16.5
lb/kg	0.12	0.12	0.23	0.34	0.55	0.82	1.23	1.8	3.8	5.0	9.5

### PRESSURE TEMPERATURE RATING



### \*NOTES:

- 1) 2 1/2" and 3" sizes are certified for 1/2 to 5 PSIG gas services only
- 2) Gas certifications listed are not applicable to 4" size.
- 3) UL listings are not applicable to 2 1/2" - 4"