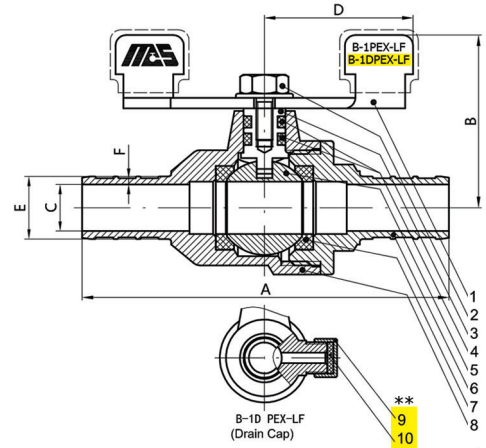
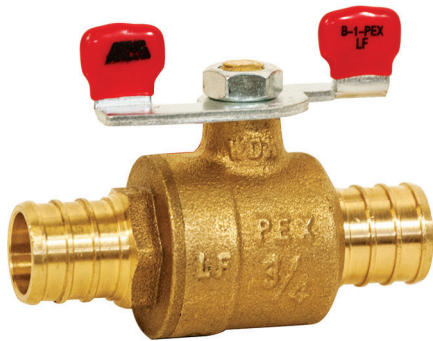




Meeting the Industry's  
Lowest Lead-free  
Requirements

# B-1PEX-LF / B-1DPEX-LF 5.11

NSF-61/372



- Forged 2-piece construction
- Reduced port
- CSA B137.5 ASTM F1807 PEX ends
- Blowout-proof stem
- Chrome plated ball
- O-ring stem seals
- 400 WOG
- CSA B125.3-12 Plumbing Fittings / ASME 112.4.14
- NSF/ANSI 61 Drinking Water System Components
- NSF/ANSI 372 Lead Free (0.25% max lead content)
- **\*\* Drain available on model B-1DPEX-LF**

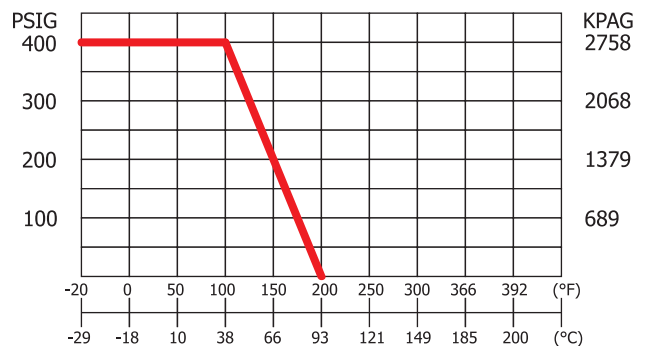
B-1PEX-LF   B-1-D-PEX-LF PART/MATERIAL		
NO.	PART NAME	MATERIAL
1	Handle	Steel ASTM A36 ZINC PLATED
2	Handle NUT	Steel ASTM A36 ZINC PLATED
3	Stem	Brass ASTM B432 C46500
4	O Ring	NBR
5	Ball	Brass ASTM B432 C46500 Chrome Plated
6	Cap	Brass ASTM B432 C46500
7	Seat	PTFE
8	Body	Brass ASTM B432 C46500
9	** Drain Cap	Brass ASTM C37700
10	** Drain Cap Washer	NBR

B-1PEX-LF   B-1-D-PEX-LF DIMENSIONS										
Size	A mm/in	** A mm/in	B mm/in	C mm/in	D mm/in	E mm/in	F mm/in	CV	** Weight Kg/LBS	Weight Kg/LBS
1/2	63	68.5	33.5	8.95	27	11.96	0.828Min	7	0.123	0.102
	2.48	2.697	1.319	0.352	1.102	0.471	0.033Min		0.271	0.225
3/4	68.3	74	36.5	13.22	27	16.94	1.081Min	13	0.187	0.158
	2.69	2.913	1.437	0.52	1.102	0.667	0.043Min		0.412	0.348
1	85.4	91	42.7	17.79	27	21.74	1.196Min	27	0.312	0.270
	3.362	3.583	1.72	0.7	1.102	0.856	0.047Min		0.688	0.595

Table A1: Pressure Rating for PEX SDR9 Water Distribution Systems

Rated Temperature °C / °F	Pressure Rating for Water KPA / (PSI)
23 / 73	1105 / (160)
82 / 180	690 / (100)
93 / 200	550 / (80)

**PRESSURE TEMPERATURE RATING**



**\*NOTES:**

- 1) The safe working pressure-temperature rating for this valve in a PEX piping system is dependent not only on the valve rating but also the limitations of the PEX pipe used. Refer to the CSA-B137 standard Table A1 above for these limits.
- 2) It is not recommended to use the drain feature valve B-1D PEX with any hostile fluid, gas or high temperature application.
- 3) Always depressurize system before removing the B-1D PEX drain cap.