



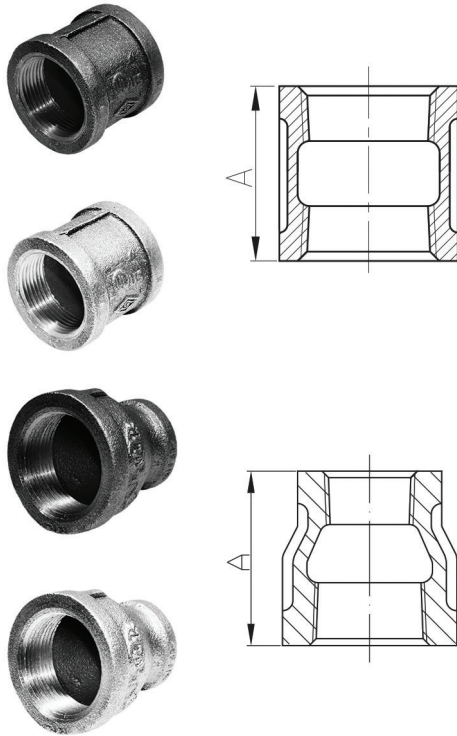
M. A. Stewart & Sons Ltd.
VALVES AND FITTINGS

Malleable Iron Pipe Fittings

Material: ASTM A197/A197M
Dimensions: ASME B16.3, B16.14
Union Dimensions: B16.39
Threads: ASME B1.20.1
Size Available: 1/8" - 8"

American Standard Class 150

1.6



220 - Coupling

		DIMENSIONS						
Size	Inch	1/8	1/4	3/8	1/2	3/4	1	1 1/4
	mm	6	8	10	15	20	25	32
Dim. (mm)	A	24.2	26.9	29.5	34.0	38.6	42.4	49
Size	Inch	1 1/2	2	2 1/2	3	4	5	6
	mm	40	50	65	80	100	125	150
Dim. (mm)	A	54.6	64.3	73.2	80.8	93.7	95	105

240 - Reducing Coupling

		DIMENSIONS				
Size	Inch	4X1	4X1 1/4	4X1 1/2	4X2	4X2 1/2
	mm	100X25	100X32	100X40	100X50	100X65
Dim. (mm)	A	111.3	111.3	111.3	111.3	111.3
Size	Inch	4X3	3/8X1/8	3/8X1/4	5X4	6X4
	mm	100X80	10X6	10X8	125X100	150X100
Dim. (mm)	A	111.3	28.7	28.7	122	105

		DIMENSIONS					
Size	Inch	6X2	6X3	1/2X1/8	1/2X1/4	1/2X3/8	3/4X1/8
	mm	150X50	150X80	15X6	15X8	15X10	20X6
Dim. (mm)	A	105	105	31.8	31.8	31.8	36.6
Size	Inch	3/4X1/4	3/4X3/8	3/4X1/2	1X1/4	1X3/8	1X1/2
	mm	20X8	20X10	20X15	25X8	25X10	25X15
Dim. (mm)	A	36.6	36.6	36.6	42.9	42.9	42.9

		DIMENSIONS					
Size	Inch	1X3/4	1 1/4X1/4	1 1/4X3/8	1 1/4X1/2	1 1/4X3/4	1 1/4X1
	mm	25X20	32X8	32X10	32X15	32X20	32X25
Dim. (mm)	A	42.9	52.3	52.3	52.3	52.3	52.3
Size	Inch	1 1/2X1/4	1 1/2X3/8	1 1/2X1/2	1 1/2X3/4	1 1/2X1	2X1/2
	mm	40X8	40X10	40X15	40X20	40X25	50X15
Dim. (mm)	A	58.7	58.7	58.7	58.7	58.7	71.4

		DIMENSIONS				
Size	Inch	1 1/2X1 1/4	2X3/4	2X1	2X1 1/4	2X1 1/2
	mm	40X32	50X20	50X25	50X32	50X40
Dim. (mm)	A	58.7	71.4	71.4	71.4	71.4
Size	Inch	2 1/2X1/2	2 1/2X3/4	2 1/2X1	2 1/2X1 1/4	2 1/2X1 1/2
	mm	65X15	65X20	65X25	65X32	65X40
Dim. (mm)	A	82.6	82.6	82.6	82.6	82.6

		DIMENSIONS				
Size	Inch	2 1/2X2	3X1/2	3X3/4	3X1	3X1 1/4
	mm	65X50	80X15	80X20	80X25	80X32
Dim. (mm)	A	82.6	93.7	93.7	93.7	93.7
Size	Inch	3X1 1/2	3X2	3X2 1/2	1/4X1/8	8X6
	mm	80X40	80X50	80X65	8X6	200X150
Dim. (mm)	A	93.7	93.7	93.7	25.4	131

